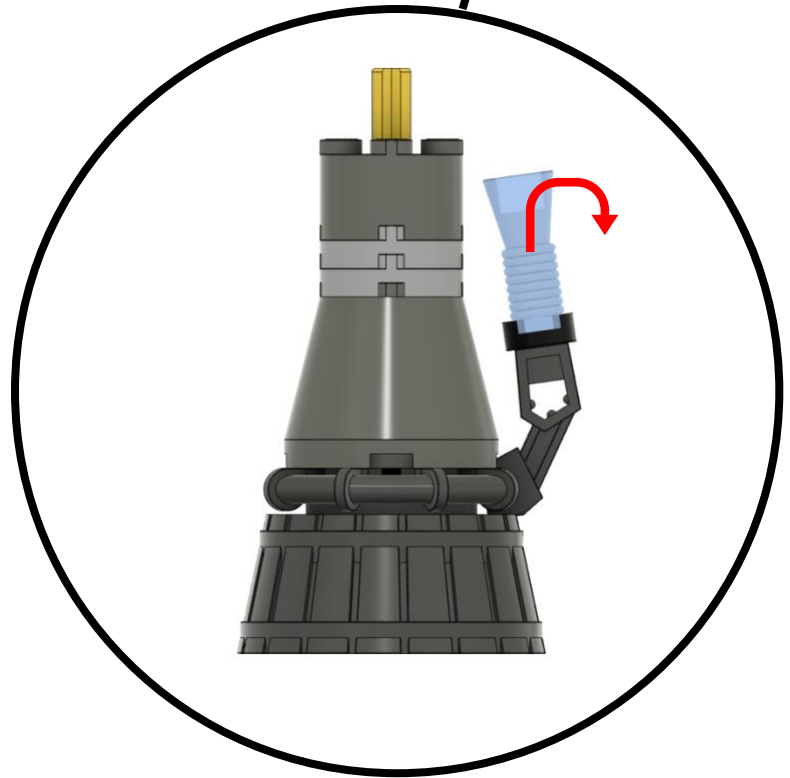
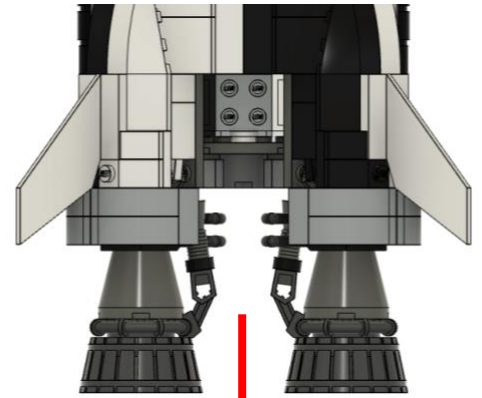
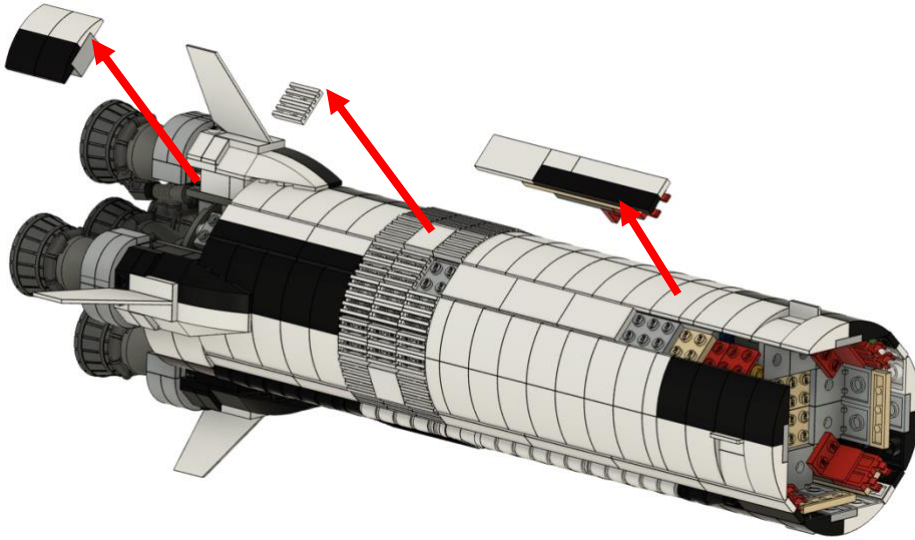
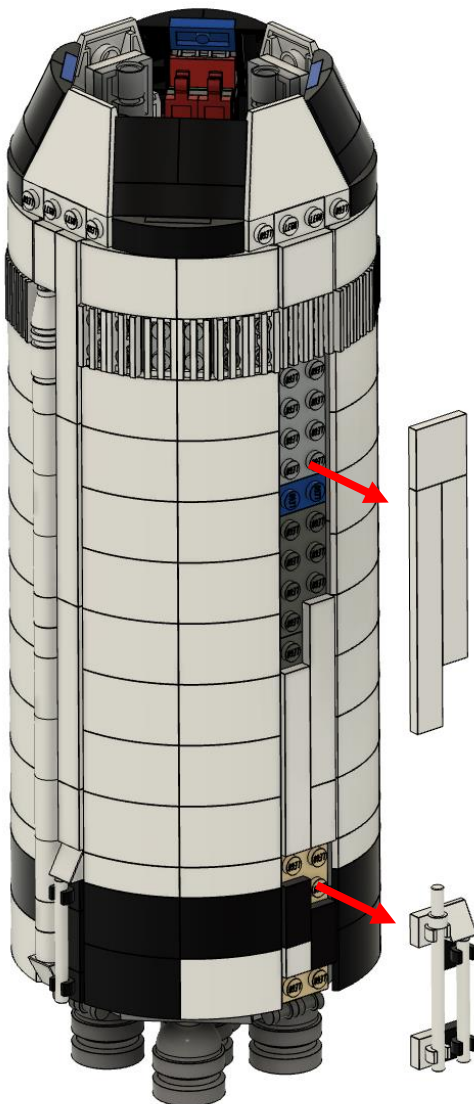


Saturn V Set Preparation

Remove the bricks as shown

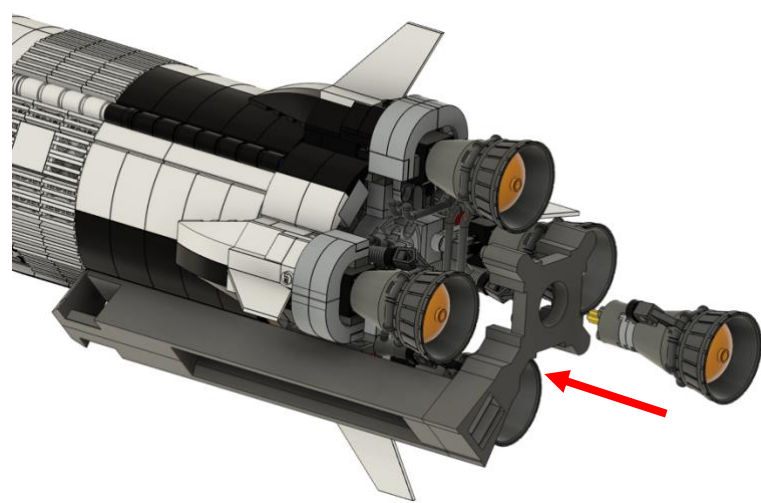
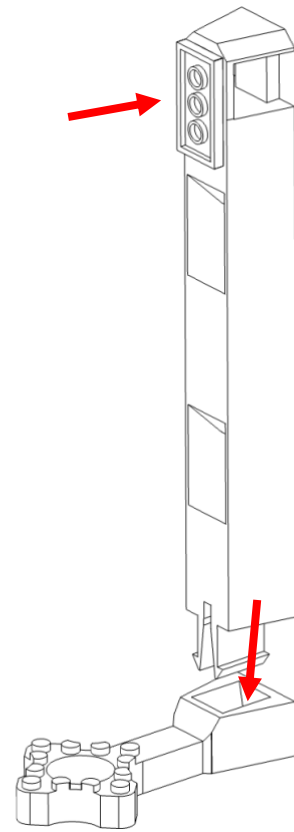


Remove the blaster piece

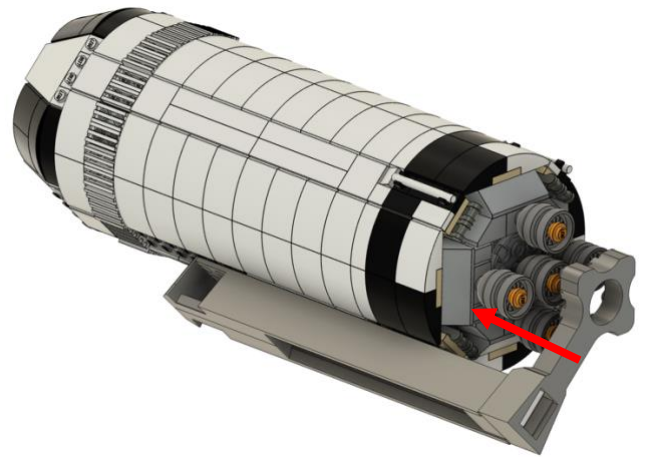
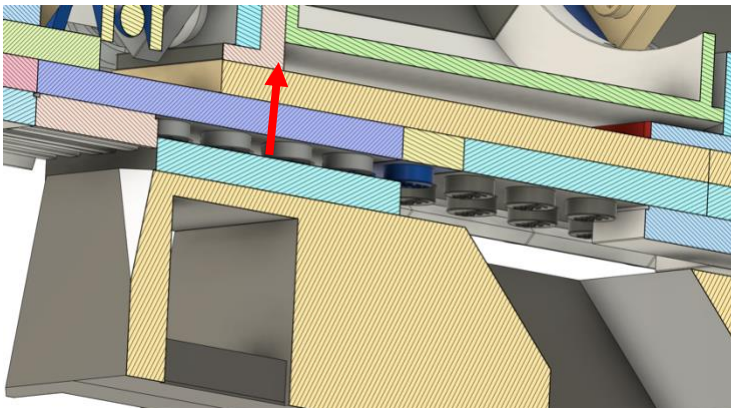


Joined rocket stages (Vertical & horizontal) - Setup

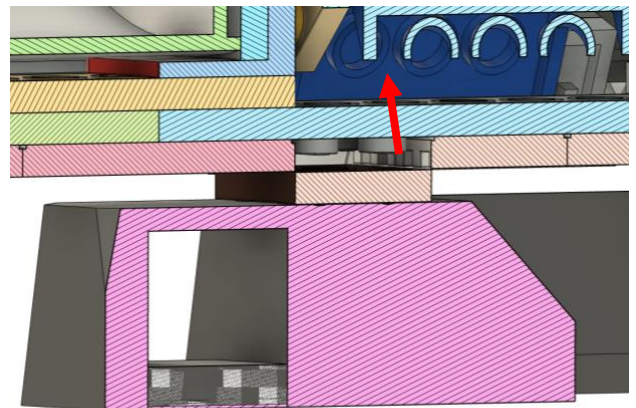
Insert the
included Lego
plates



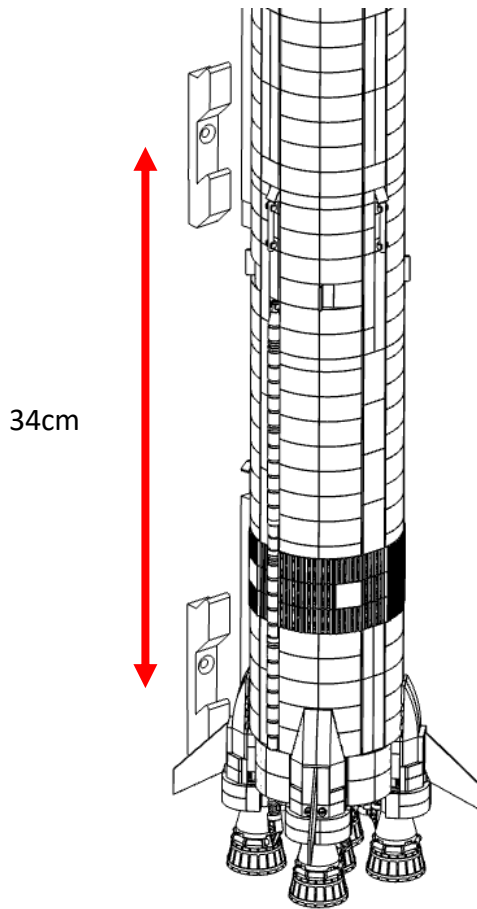
Press the 3D printed part into the 4x4 round brick followed by the fifth engine.



Press the 3D printed part into the 4x4 round plate



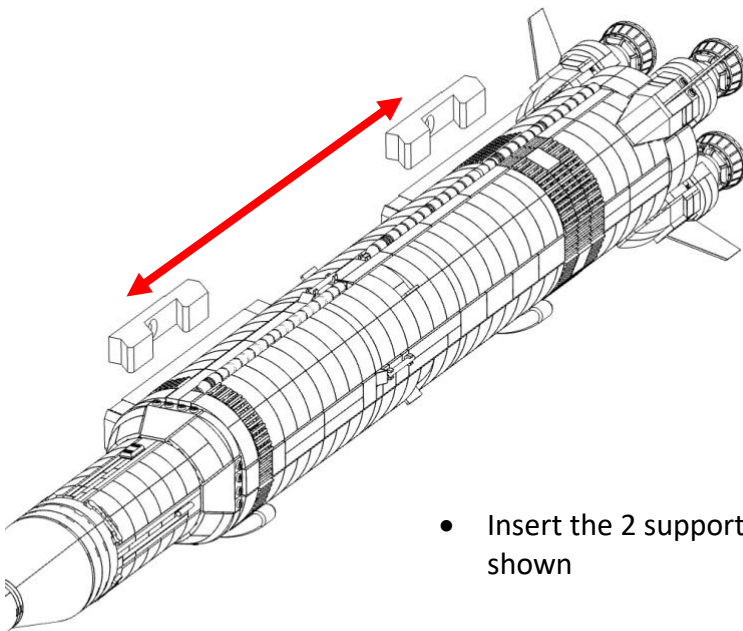
Joined rocket stages (vertical & horizontal) – Wall hook positions



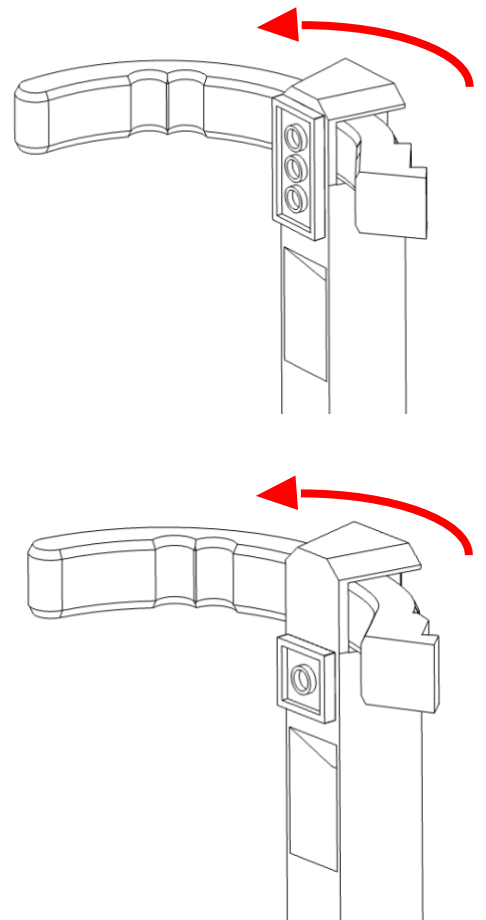
Vertical Mounting

- Requires only the two larger wall hooks.
- The hooks must be spaced 34cm apart (measured at the screw holes).

Horizontal mounting

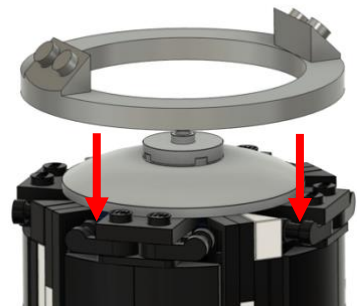
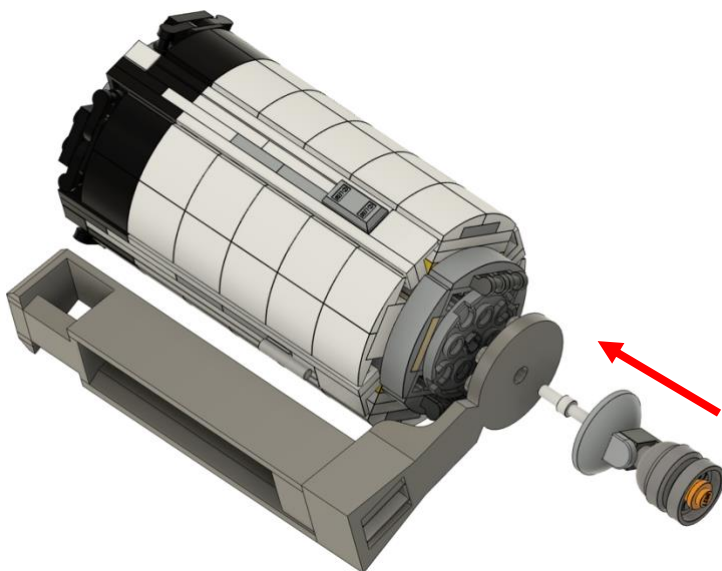
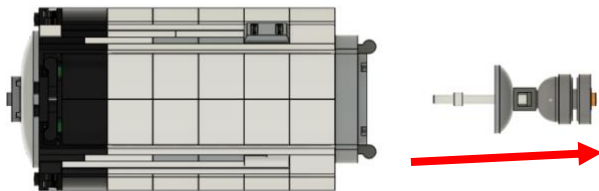
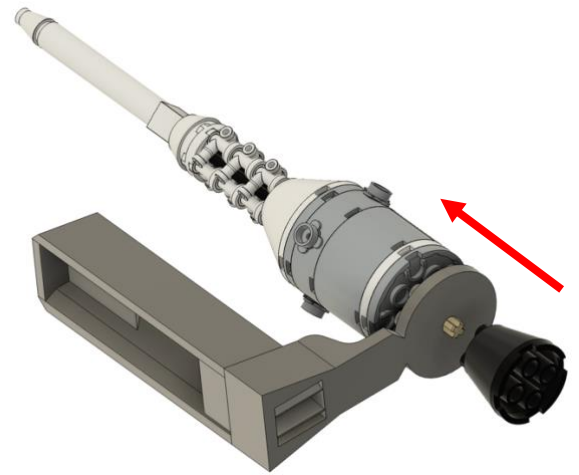
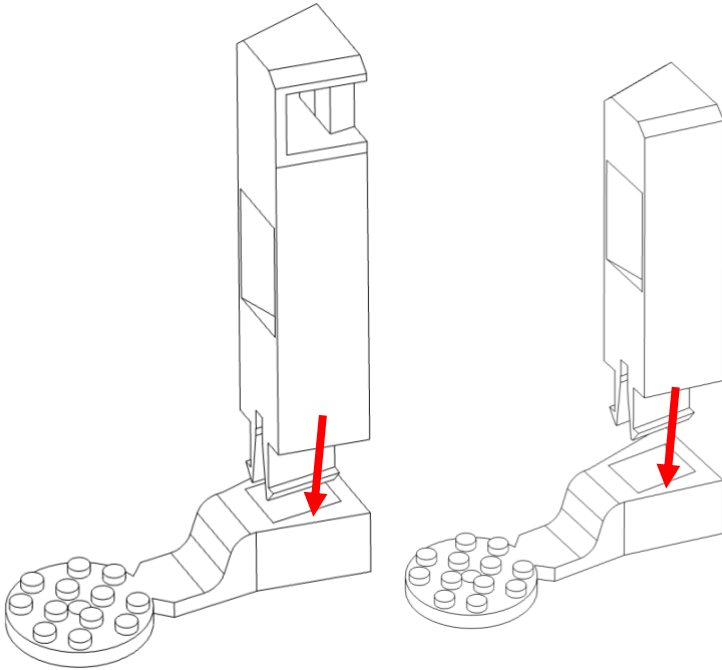


- Insert the 2 support arms as shown
- Requires only the two larger wall hooks.
- The hooks must be spaced 34cm apart (measured at the screw holes).



Separated rocket stages (Vertical & horizontal) - Setup

Follow steps from page 2, then proceed.



Separated rocket stages (Vertical & horizontal) – Wall hook positions

You must use all four wall hooks. There are no exact spacings, but leave at least 4cm of clearance between each stage of the Lego rocket

