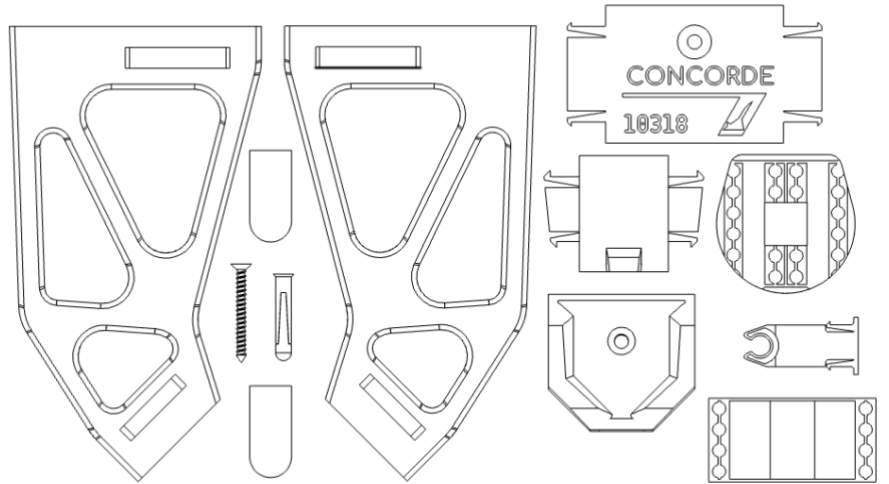


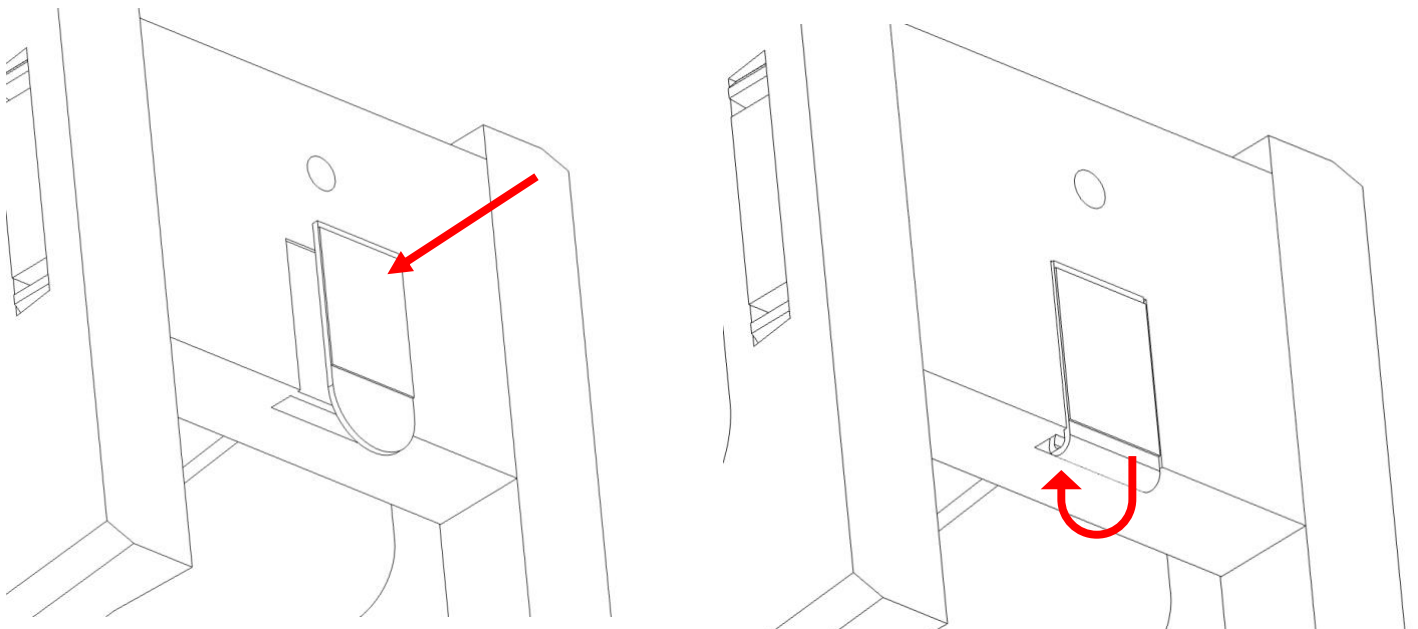
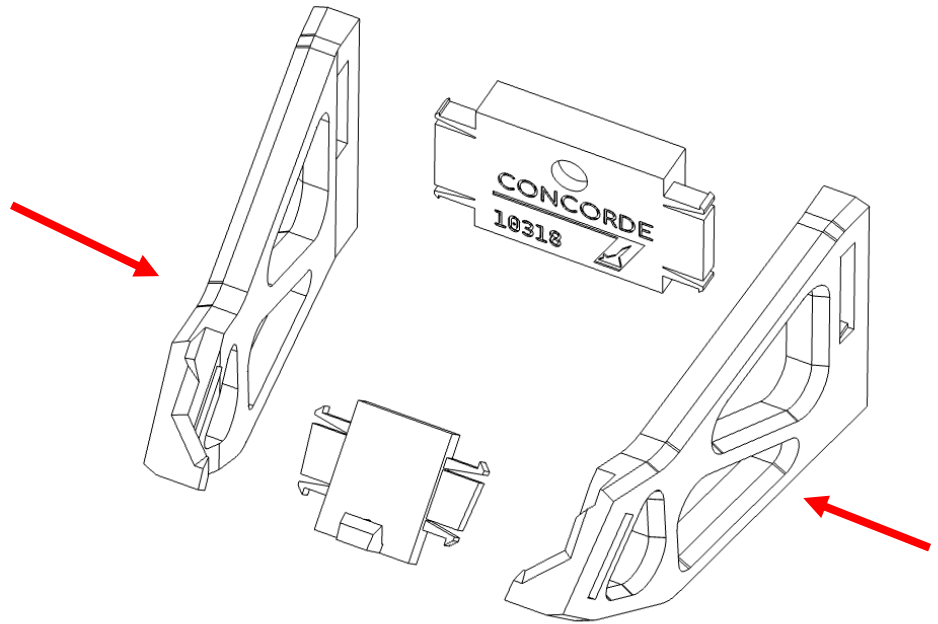
Wall mount Instructions For Concorde – (10318)

Parts included in the kit:

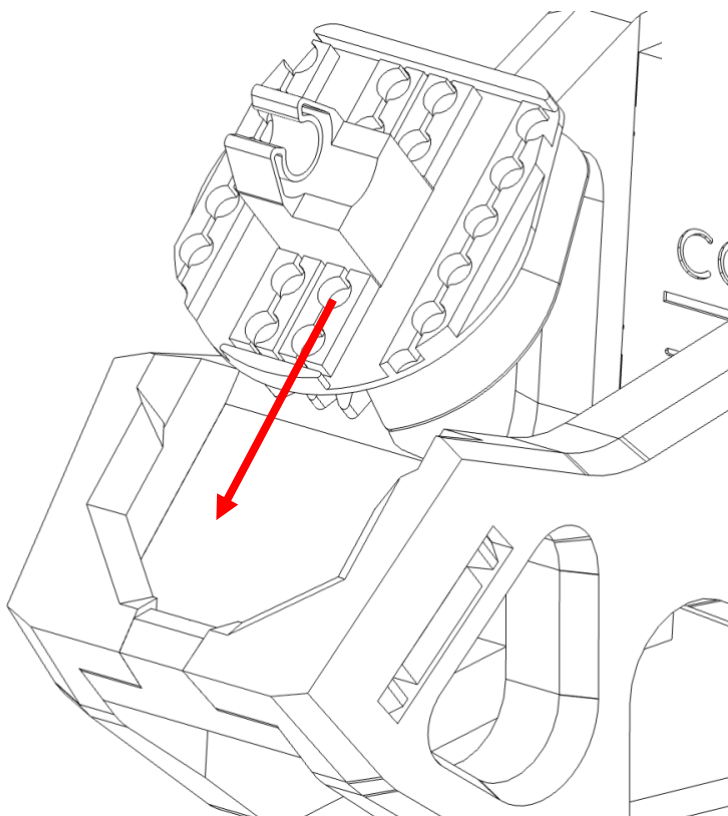
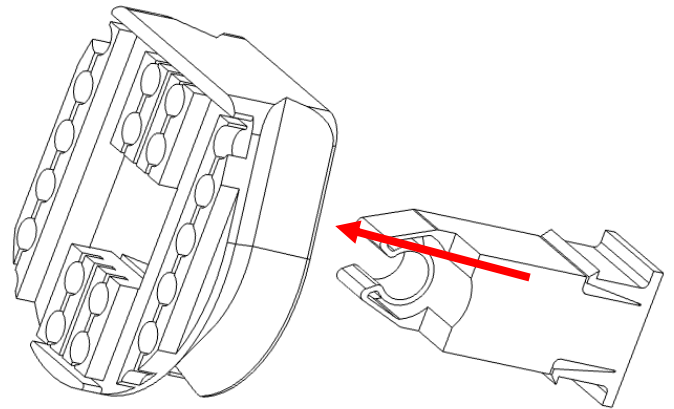
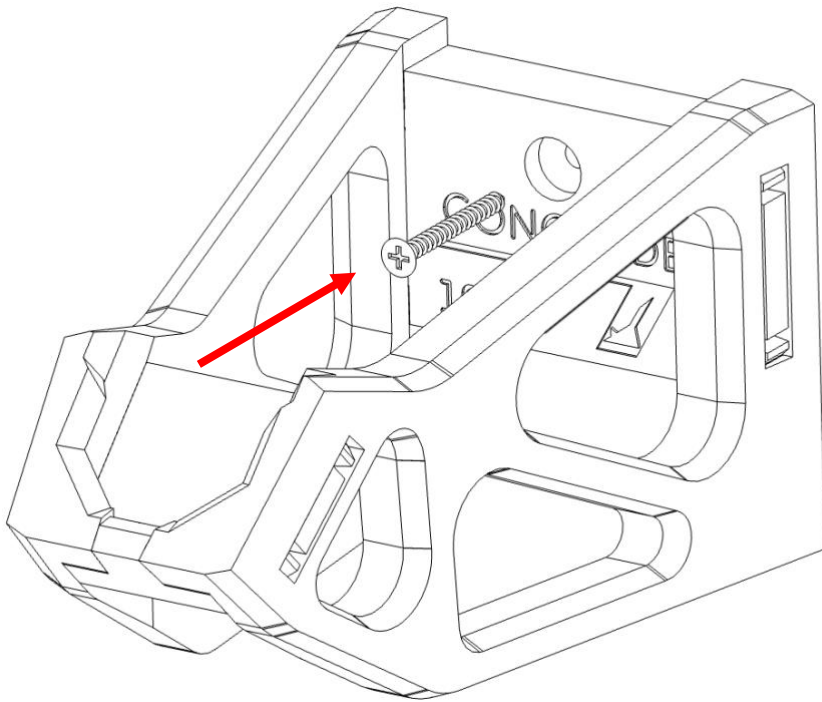
- 1x Left arm
- 1x Right arm
- 1x wall plate
- 1x mid stretcher
- 1x adaptor puck
- 1x adaptor peg
- 1x Flush mount
- 1x info card holder
- 1x Wall screw
- 1x Wall plug
- 2x Small Command strips



Standard Mount



Wall mount Instructions For Concorde – (10318)



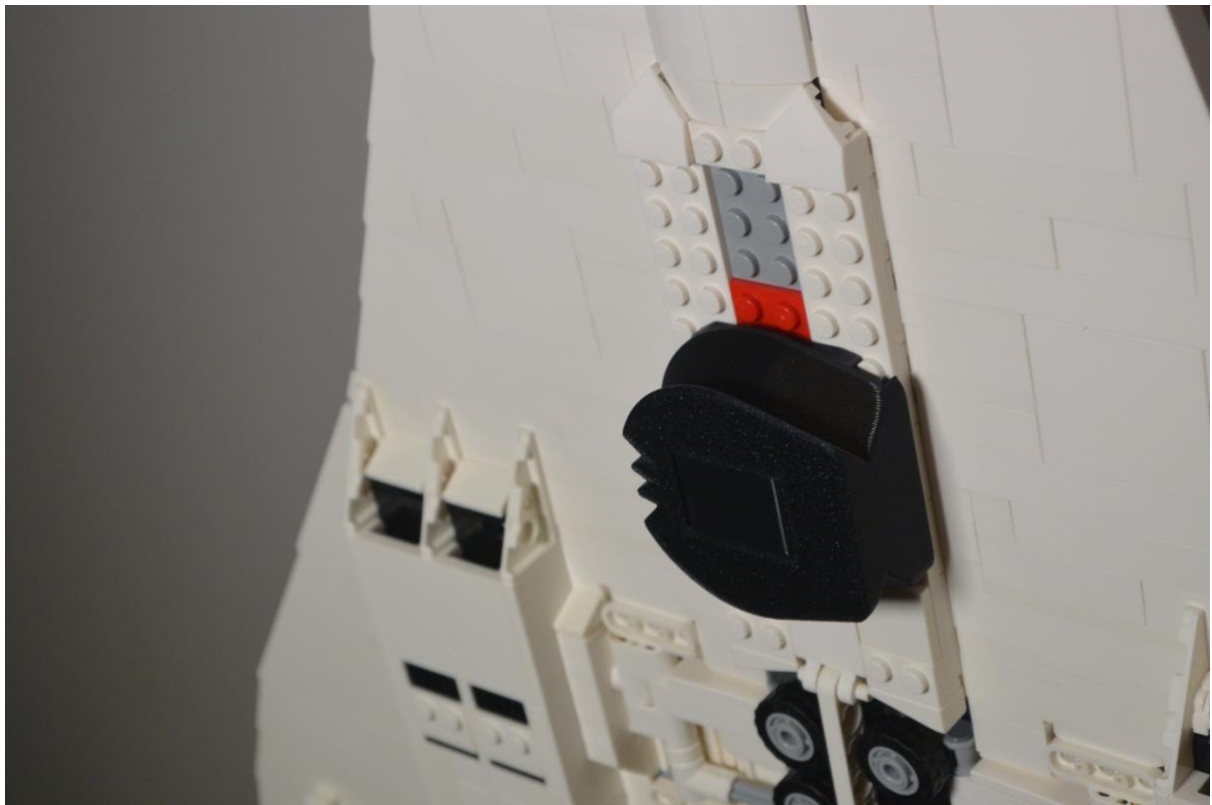
Please ensure that the adaptor peg is the correct way around for the direction you wish to position the set.

Wall mount Instructions For Concorde – (10318)

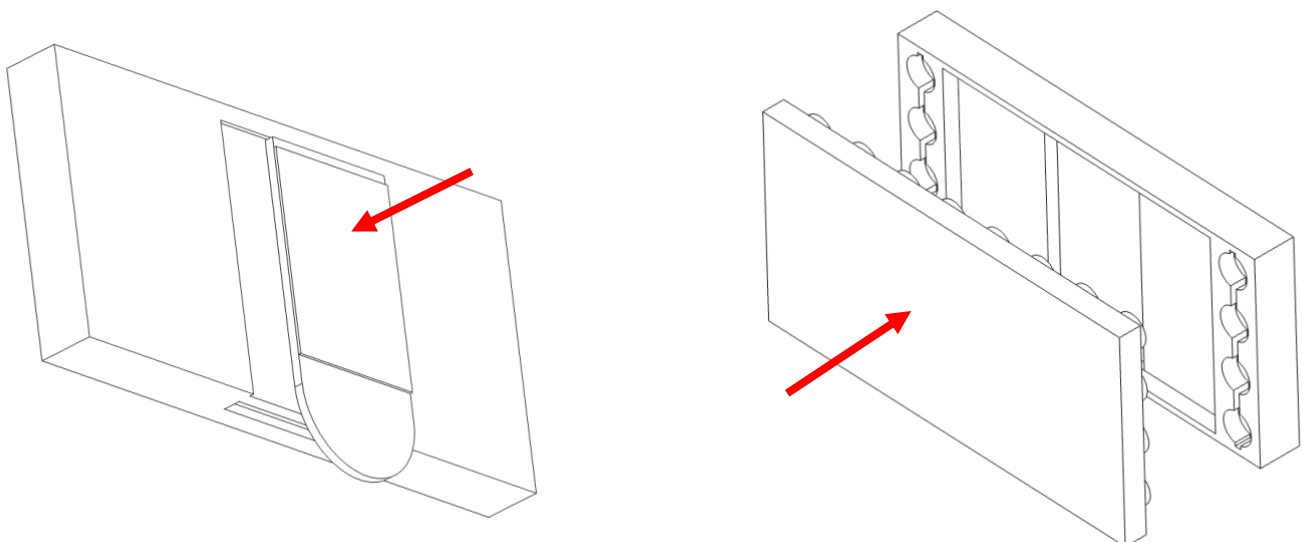
Please remove the 2x6 white tile and 6x6 white tile from the underside of the concord.

Push the adaptor assembly into the set so the adaptor peg locates into the stand hole.

You will need to remove and reposition this adaptor with a left or right facing position



Info Card Holder



Flush Mount

