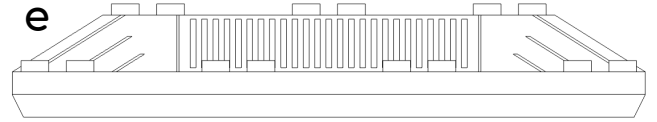
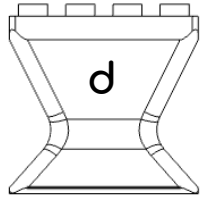
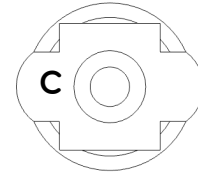
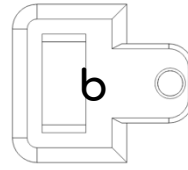
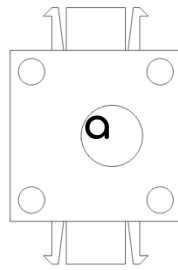


# Flush Wall Mount Instructions

## For Dune Atreides Royal Ornithopter – (10327)

### What's in the box?

- a. 1x Adaptor
- b. 2x Adaptor clip
- c. 1x Lug
- d. Stabiliser
- e. 1x Minifigure mount
- f. 1x Minifigure mount lug
- g. 1x wall screw
- h. 1x Wall plug
- i. 1x 3M command strip

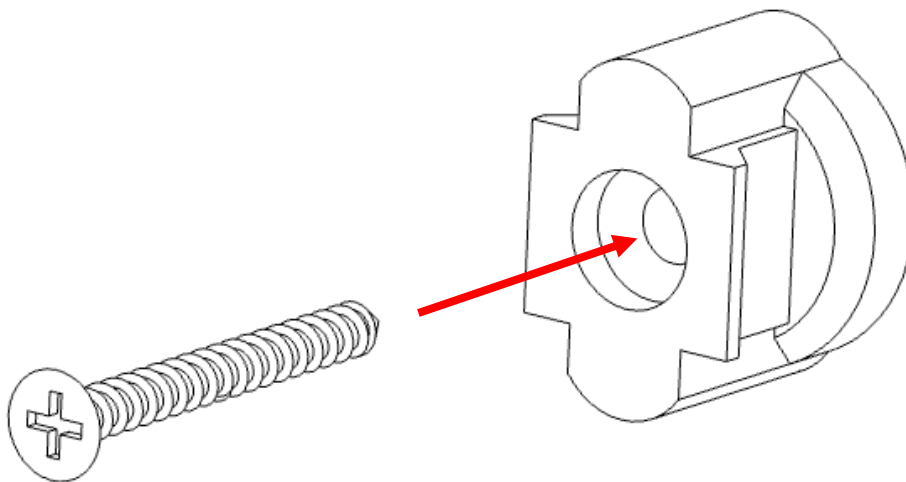


g

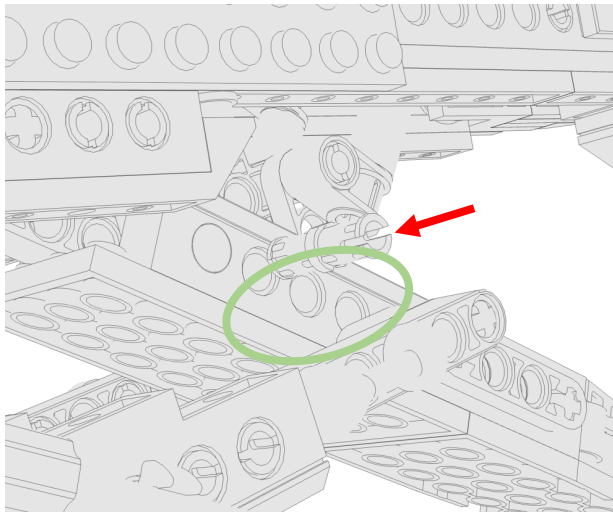
h



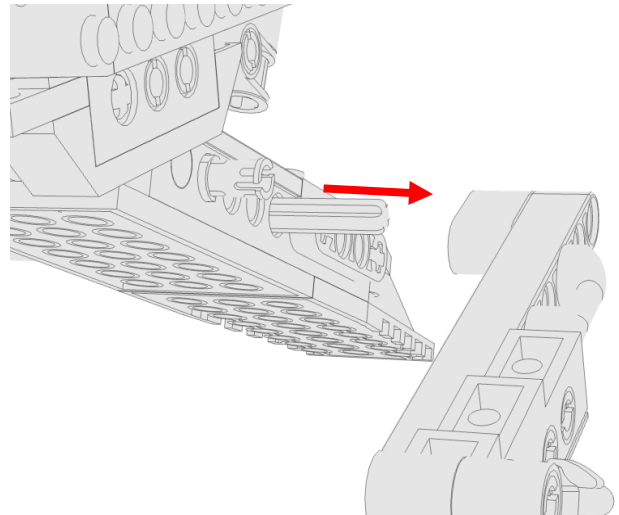
f



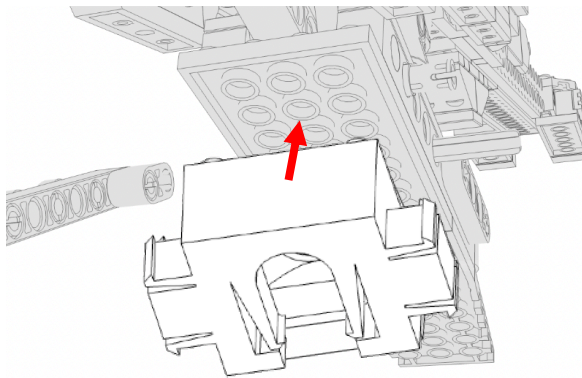
Screw the lug into the wall using the provided wall fixing.  
Orientate the lug to the desired angle for displaying the set.  
Do not overtighten, use a screwdriver.



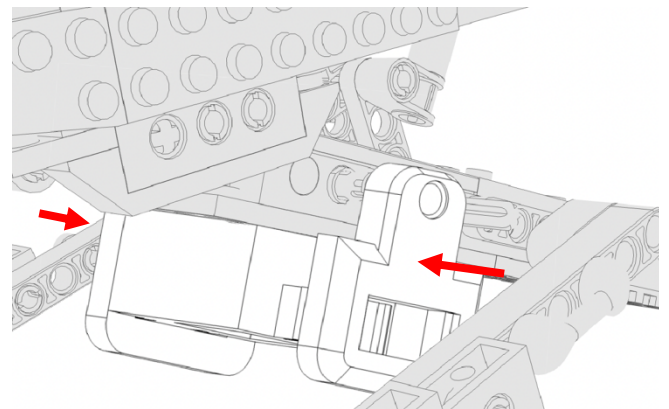
Lower the landing gear and Insert two of the spare Lego technic pins from the set into the loading ramp as shown (both sides)



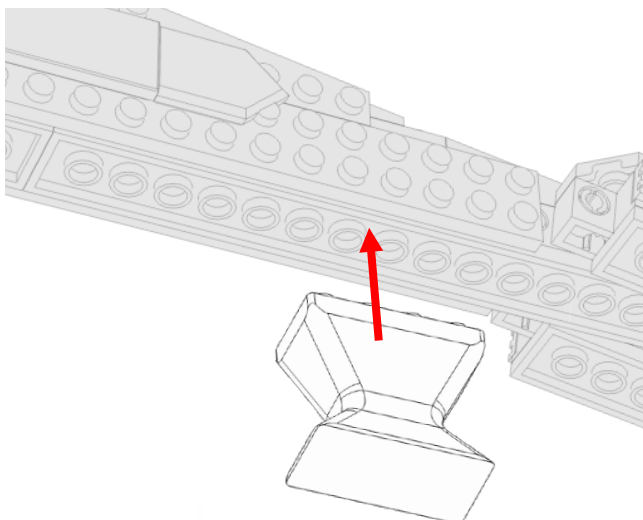
Remove the landing feet on (both sides)



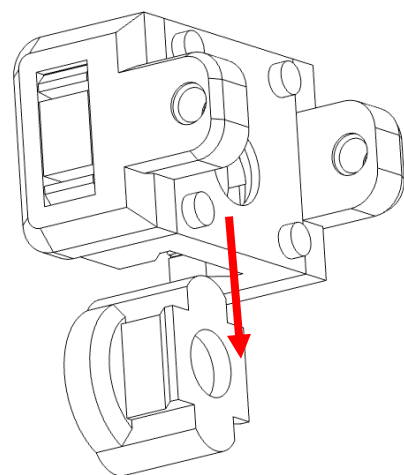
Place the adaptor onto the landing ramp. If you are displaying the ship facing nose down, then rotate the adaptor 180 degrees at this step.



Insert the adaptor clips into the 3D print and the technic pin (both sides). Now raise the landing ramp.

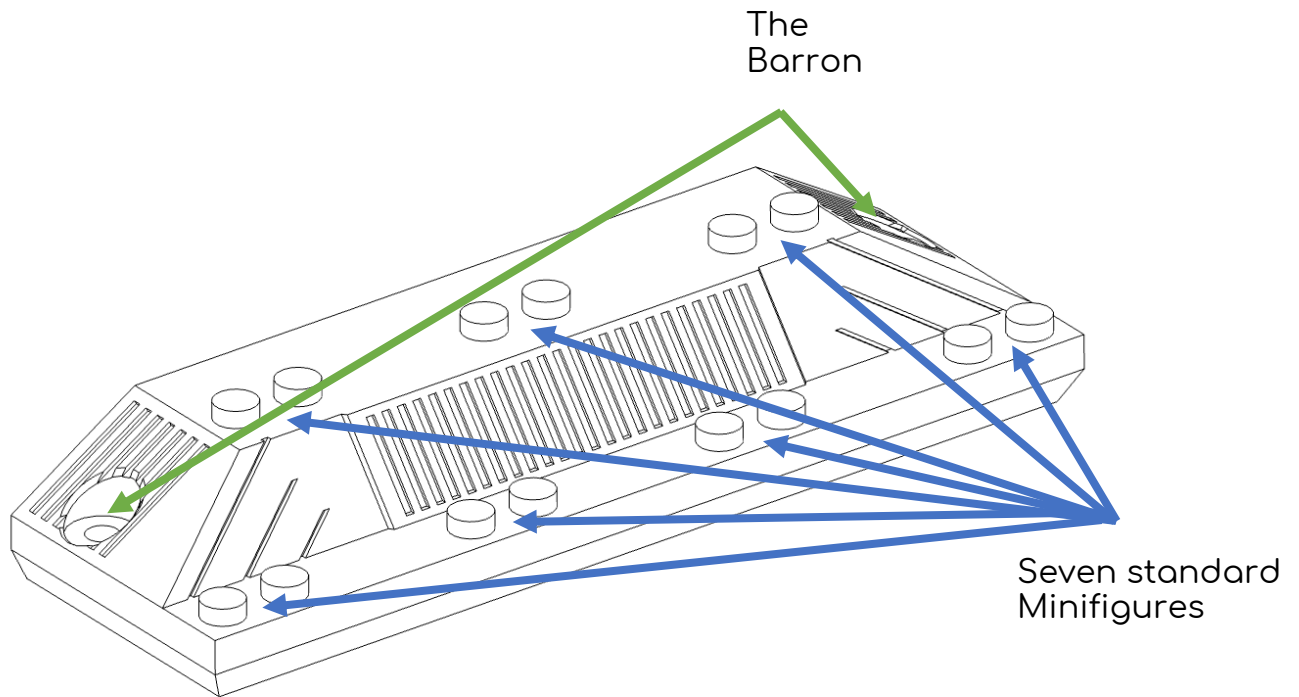


Add the stabiliser to the tail of the ship as shown.



Carefully slide the ship and adaptor onto the lug.

# Flush Wall Mount Instructions For Dune Atreides Royal Ornithopter – (10327)



Securely place the 3M command strip onto the minifigure mount lug as shown.

Please push the lug into the wall for 30 seconds and wait 4 hours for full adhesion before fitting the minifigure mount.

