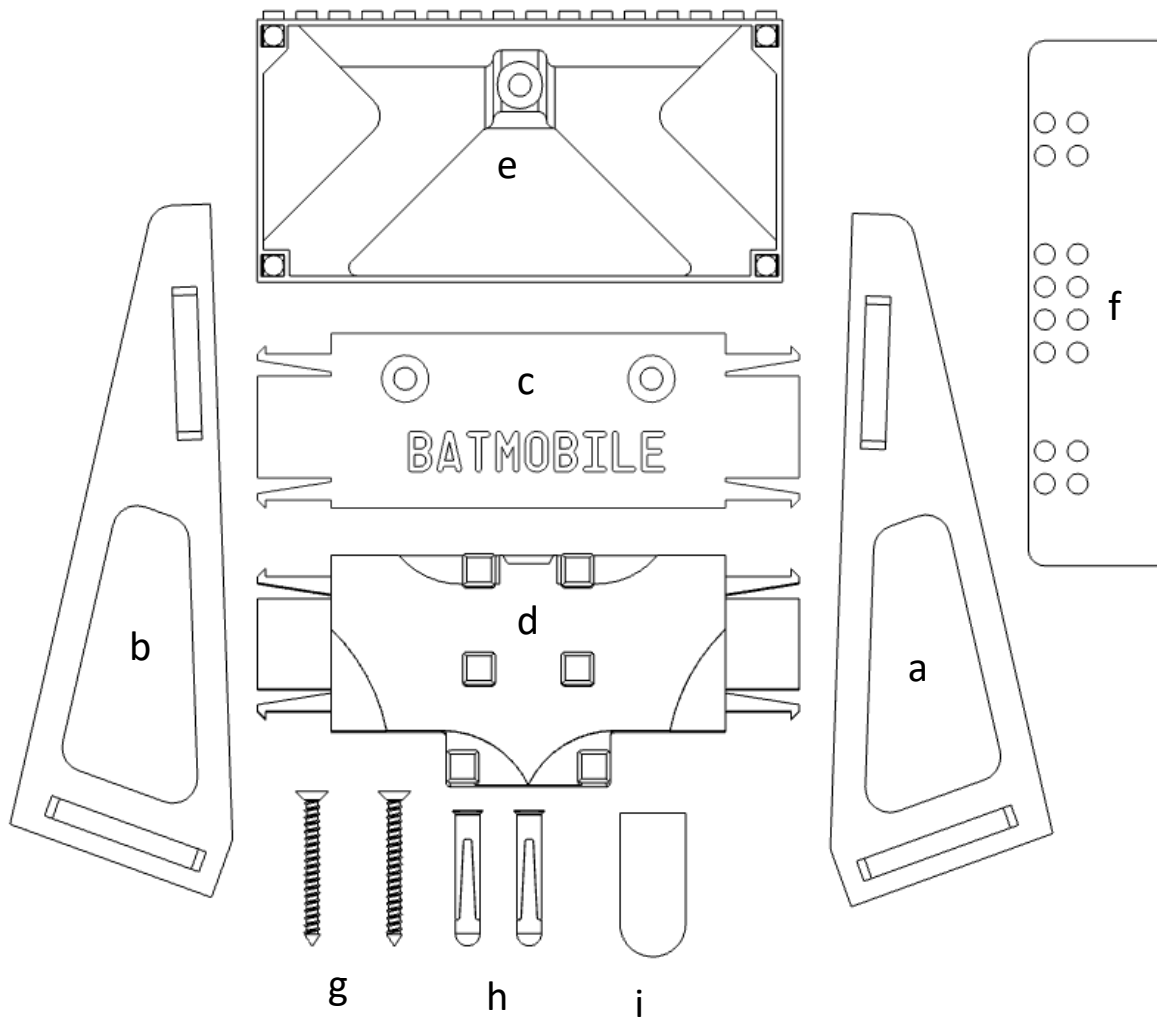


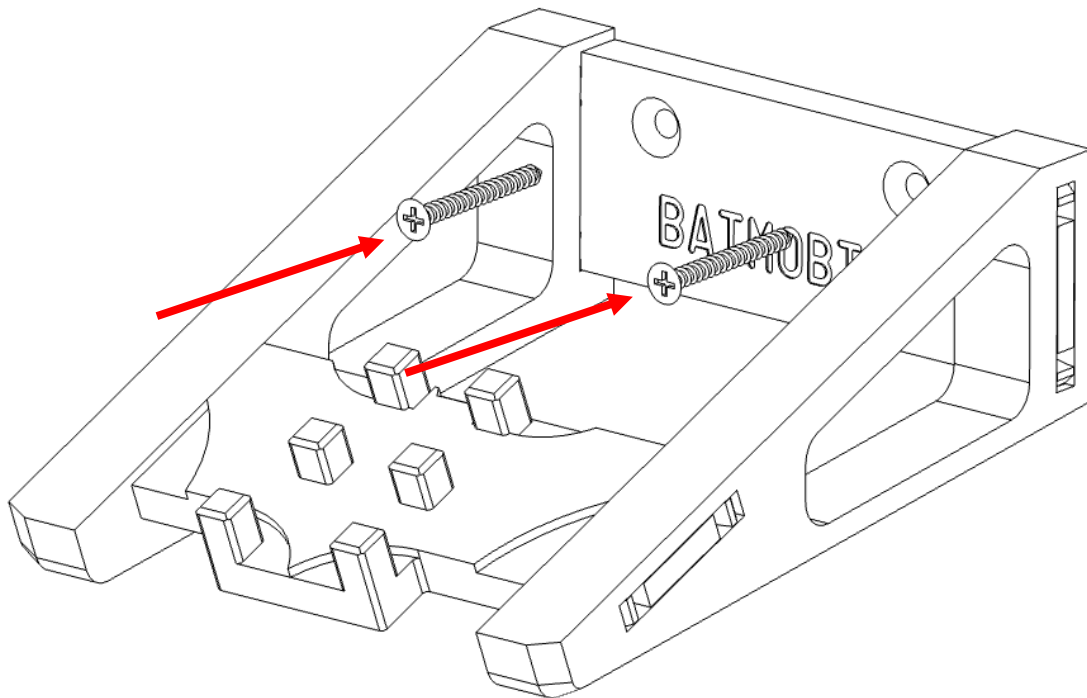
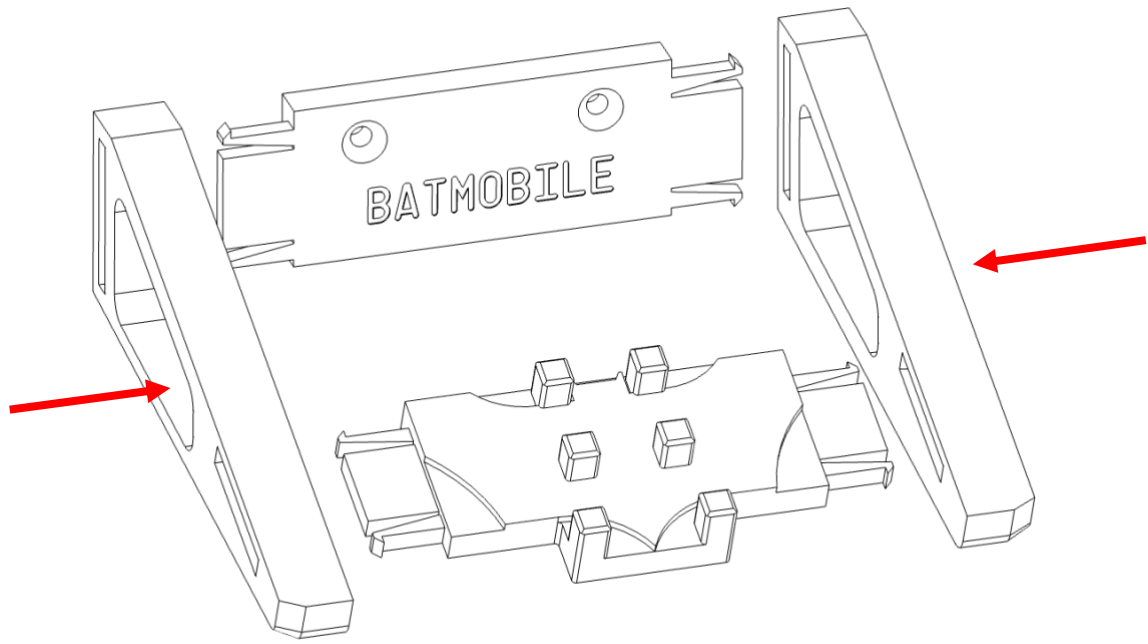
Wall mount Instructions For Classic TV Batmobile – (76328)

Included in the kit:

- 1x A. Right arm
- 1x B. Left arm
- 1x C. Wall stretcher
- 1x D. Lower stretcher
- 1x E. Info card holder
- 1x F. Info card holder top
- 2x G. Wall screws (4.5 x 50mm)
- 2x H. wall plugs (6x30mm)
- 1x I. 3M command strip (small/poster)

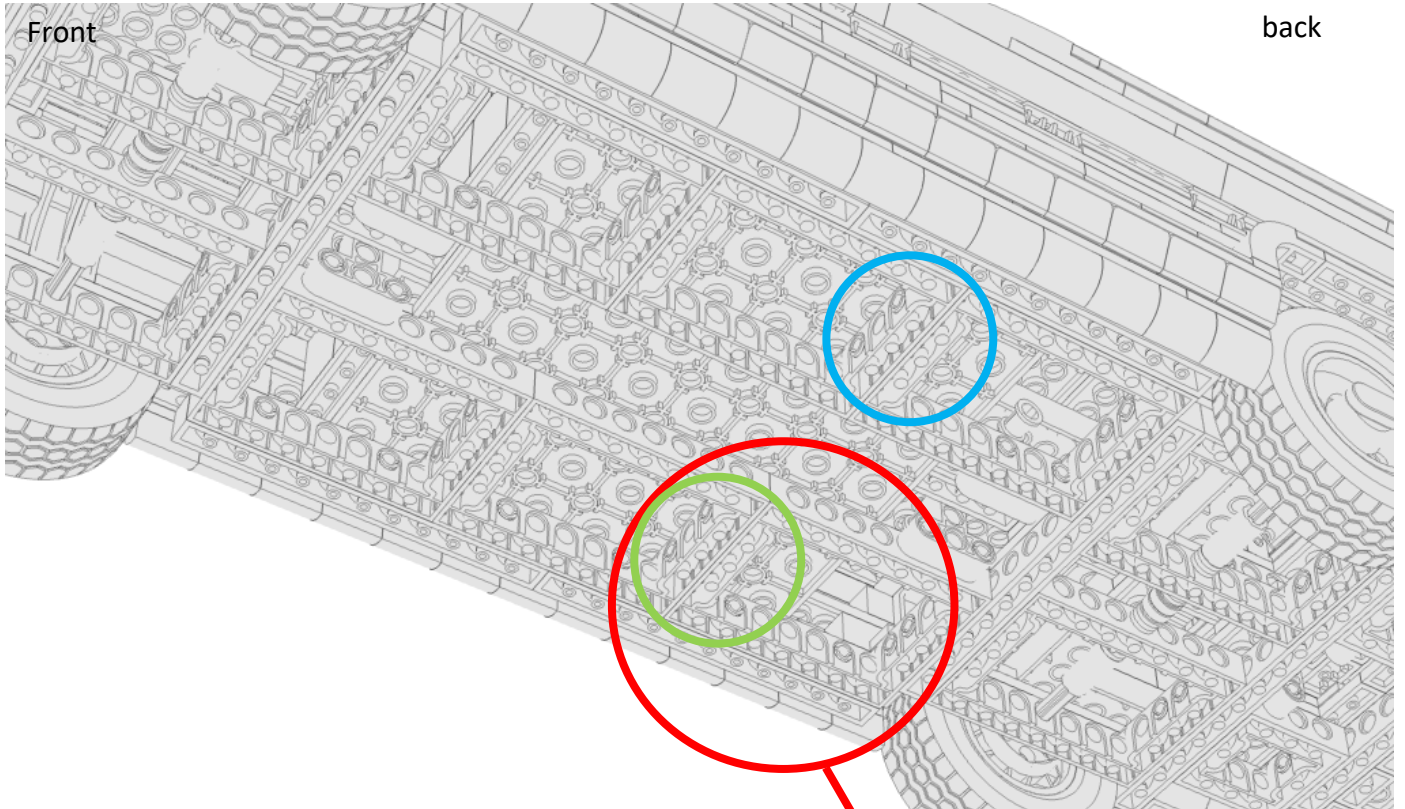


**Wall mount Instructions
For Classic TV Batmobile – (76328)**



Install with included wall hardware. Do not overtighten the screws.

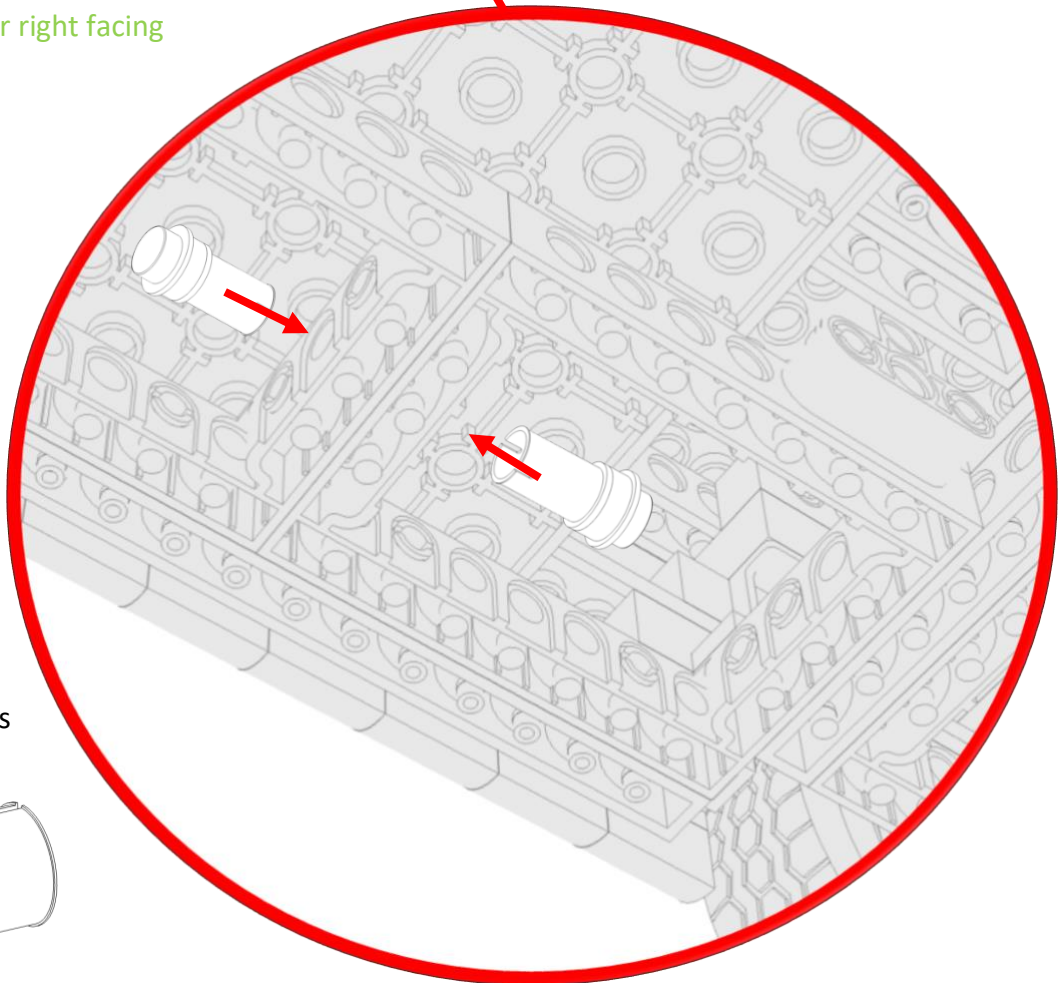
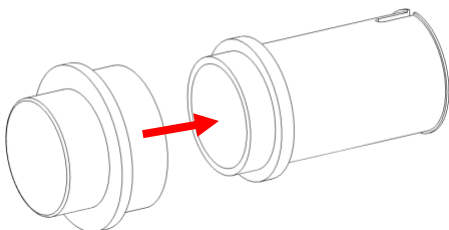
Wall mount Instructions For Classic TV Batmobile – (76328)



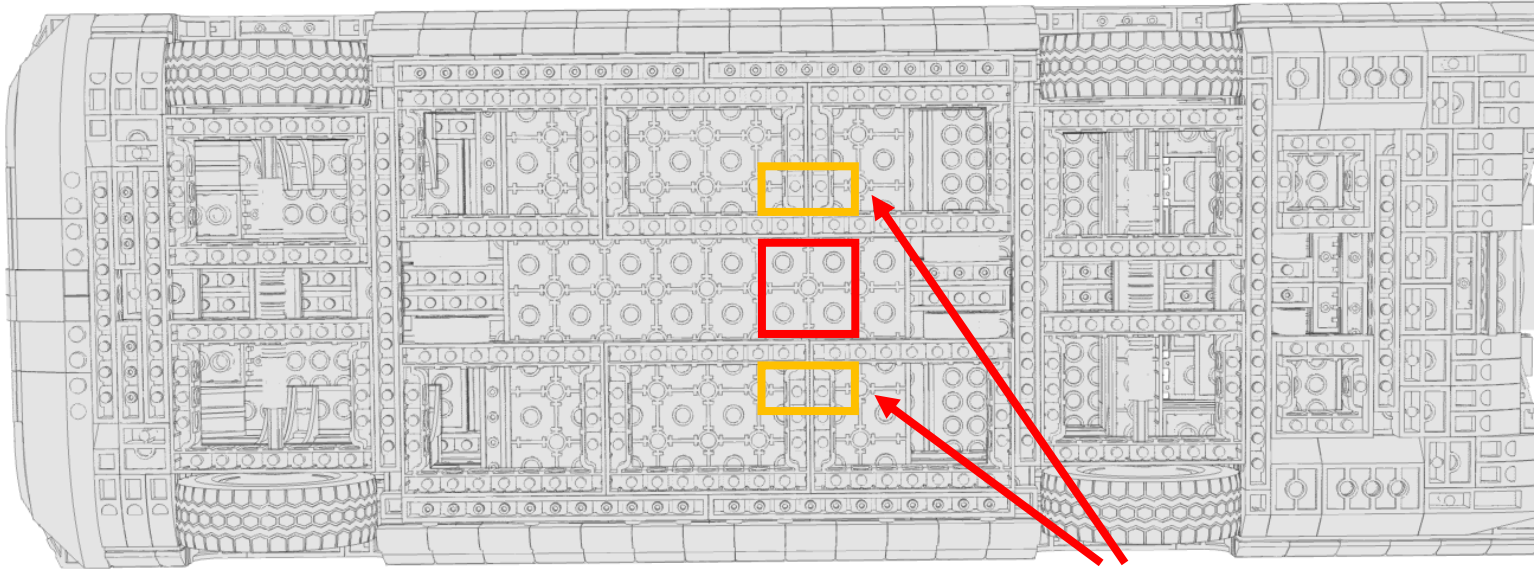
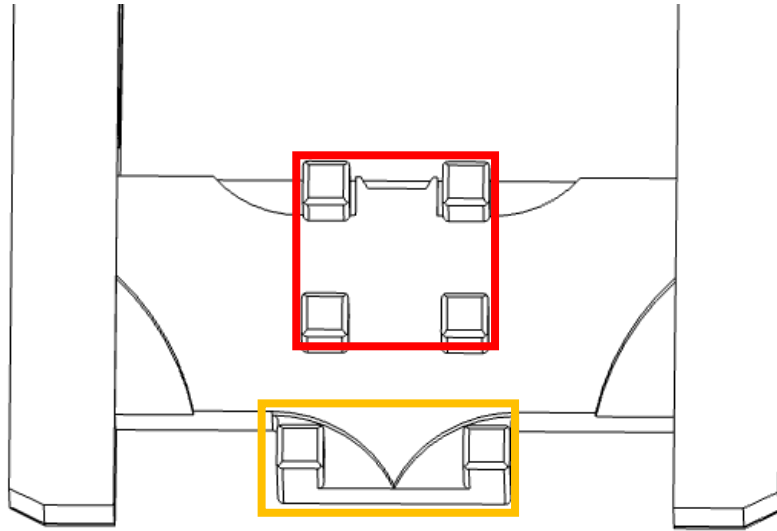
Install the Lego pins on **left side** for **Left facing display** or **right side** for **right facing display**.



Build X2 using the spare parts from the Lego set.

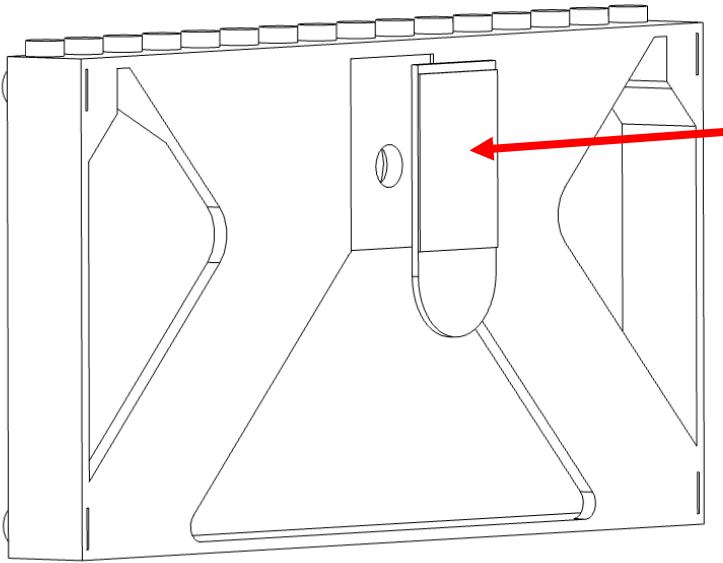


Wall mount Instructions For Classic TV Batmobile – (76328)



Left or right facing

Wall mount Instructions For Classic TV Batmobile – (76328)



Use the included 3M
command strip to affix the
info card mount to the wall.

