



Solid Rocket Boosters and External Tank for Lego Space Shuttle Discovery (Set no. 10283)

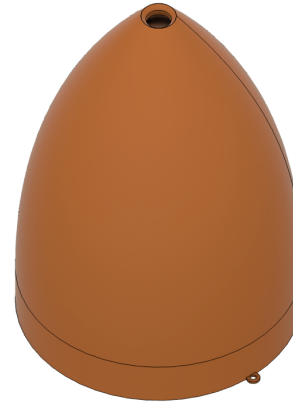


Solid Rocket Boosters and External Tank for Lego Space Shuttle Discovery (Set no. 10283)

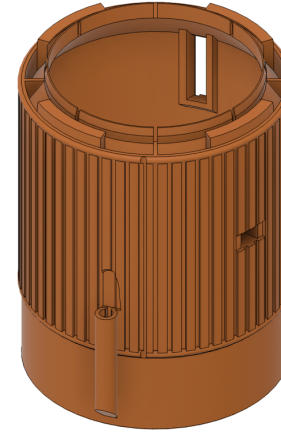
Core Parts List



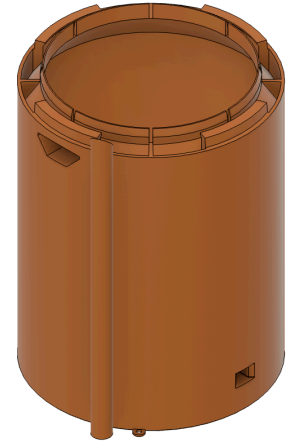
External tank upper



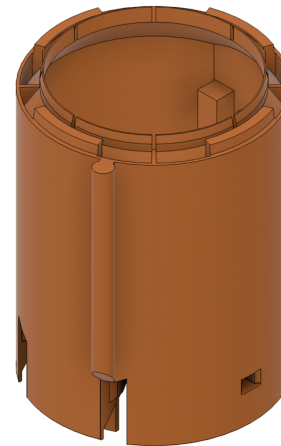
External tank middle-upper



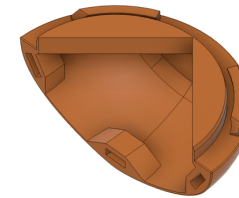
External tank middle-lower



External tank middle-lower



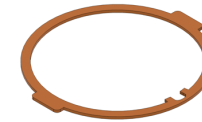
External tank end cap half



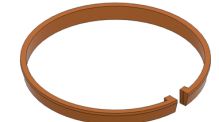
Solid rocket booster
stiffener ring C



Solid rocket booster attach
ring A



Solid rocket booster
stiffener ring A



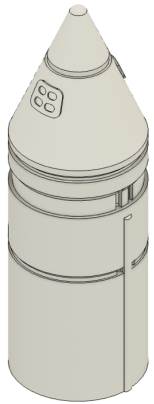


Solid Rocket Boosters and External Tank for Lego Space Shuttle Discovery (Set no. 10283)



Solid Rocket Boosters and External Tank for Lego Space Shuttle Discovery (Set no. 10283)

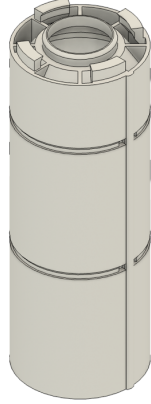
Solid rocket booster upper



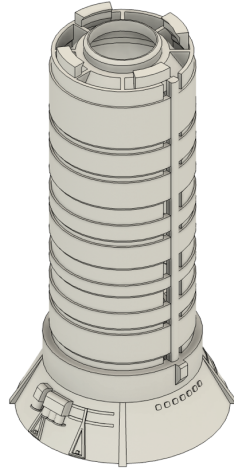
Solid rocket booster middle-upper



Solid rocket booster middle-lower



Solid rocket booster lower



Solid rocket booster nozzle



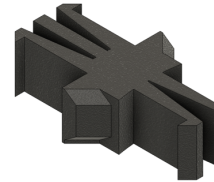
Solid rocket booster stiffener ring B



Solid rocket booster forward skirt B



Solid rocket booster to external tank clip



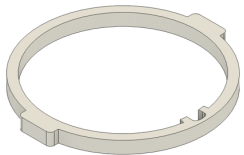
External tank tip B



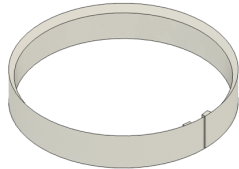
External tank shuttle mount upper clip



Solid rocket booster attach ring B



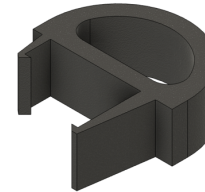
Solid rocket booster forward skirt A



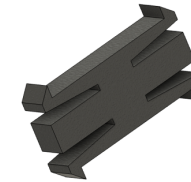
External tank tip A



External tank shuttle mount lower clip



External tank end cap half clip



External tank fuel feed fairing



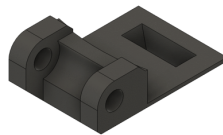
External tank shuttle mount lower left



External tank shuttle mount lower right



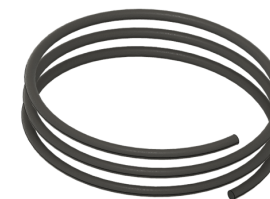
External tank shuttle mount upper



Long flexible cable



Medium flexible cable



Short flexible cable



Display Options Parts List

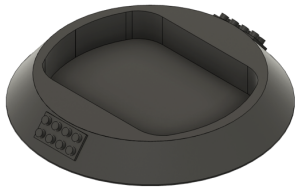
Info Card Stand



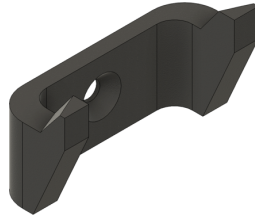
Info Card Stand studs



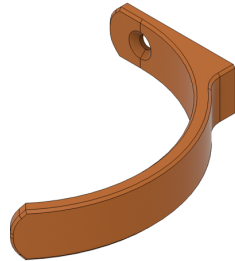
Angled stand base



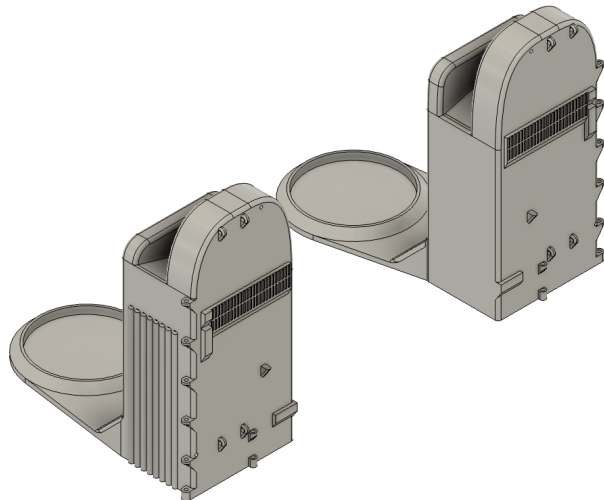
Wall mount



Horizontal wall mount support arm



Launch stands (left and right)

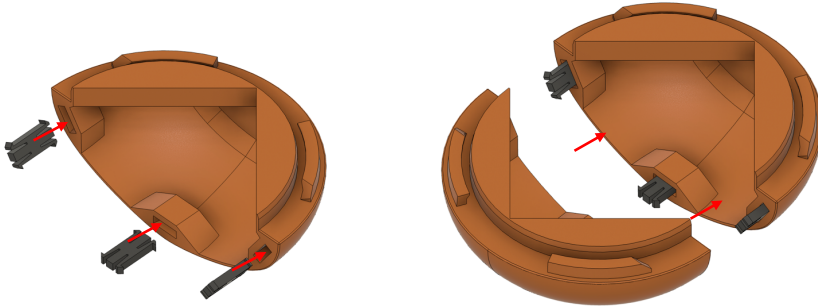


Print Details

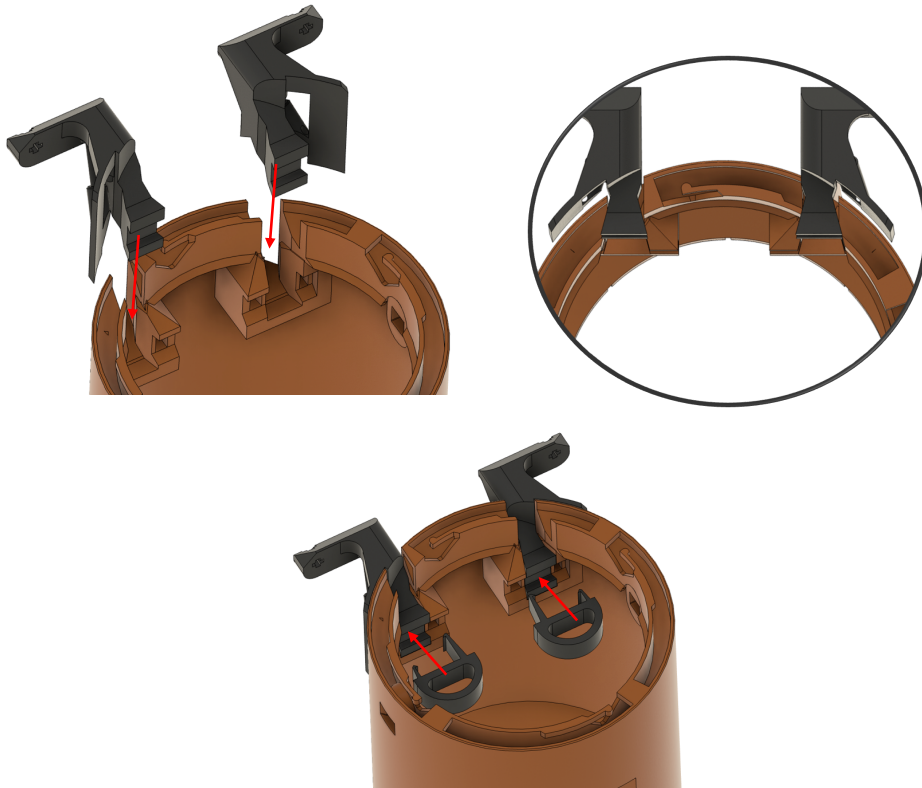
Part name	Part Abbreviation	Quantity	Material	Colour	Walls	Infill %
External tank upper	A1	1	PLA+	Brown	2	15
External tank middle-upper	A2	1	PLA+	Brown	2	15
External tank middle-lower	A3	1	PLA+	Brown	2	15
External tank middle-lower	A4	1	PLA+	Brown	2	15
External tank end cap half	A5	2	PLA+	Brown	2	15
Solid rocket booster attach ring A	C	4	PLA+	Brown	2	15
Solid rocket booster stiffener ring A	D	6	PLA+	Brown	2	15
Solid rocket booster stiffener ring C	E	2	PLA+	Brown	2	15
Solid rocket booster upper	F1	1	PLA+	White	2	15
Solid rocket booster middle-upper	F2	1	PLA+	White	2	15
Solid rocket booster middle-lower	F3	1	PLA+	White	2	15
Solid rocket booster lower	F4	1	PLA+	White	2	15
Solid rocket booster attach ring B	G	2	PLA+	White	2	15
Solid rocket booster forward skirt A	H	1	PLA+	White	2	15
External tank tip A	I	1	PLA+	White	2	15
External tank shuttle mount lower left	J	1	PLA+	Black	5	35
External tank shuttle mount lower right	K	1	PLA+	Black	5	35
External tank shuttle mount upper	L	1	PLA+	Black	5	35
Solid rocket booster nozzle extension	M	2	PLA+	Black	2	15
Solid rocket booster stiffener ring B	N	26	PLA+	Black	2	15
Solid rocket booster forward skirt B	O	1	PLA+	Black	2	15
Solid rocket booster to external tank clip	P	6	PLA+	Black	4	25
External tank tip B	Q	1	PLA+	Black	2	15
External tank shuttle mount upper clip	R	1	PLA+	Black	2	15
External tank shuttle mount lower clip	S	2	PLA+	Black	2	15
External tank end cap half clip	T	3	PLA+	Black	2	15
External tank fuel feed fairing	U	1	PLA+	Black	2	15
Long Flexible cable (610mm) (1.75 diameter) *note: melt and enlarge one end to form a stopper	V1	2	TPU/PLA	Black	n/a	n/a
Medium Flexible cable (203mm) (1.75 diameter)	V2	2	TPU/PLA	Black	n/a	n/a
Short Flexible cable (60mm) (1.75 diameter)	V3	2	TPU/PLA	Black	n/a	n/a
Angled stand base	W	1	PLA+	Black	2	15
Wall mount	X1	1	PLA+	Black	5	35
Horizontal wall mount support arm	X2	3	PLA+	Brown	5	35
Info card mount	X3	1	PLA+	Black	2	15
Info card mount studs	X4	4	PLA+	Black	2	15
Launch stand right	Y1	1	PLA+	Grey	2	15
Launch stand left	Y2	1	PLA+	Grey	2	15
Wall screw (4-5mmx40-50mm)	Z1	1	n/a	n/a	n/a	n/a
Wall anchor	Z2	1	n/a	n/a	n/a	n/a
3M Command Strip (Small Poster)	Z3	1	n/a	n/a	n/a	n/a

Assembly Details

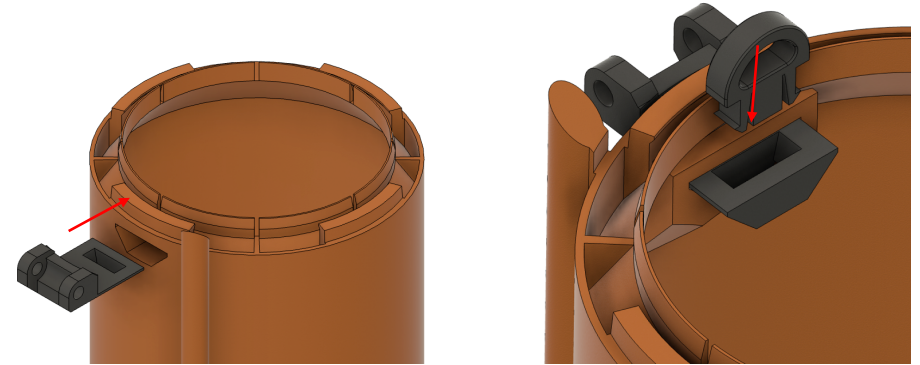
Parts: A5(x1), T(x3)



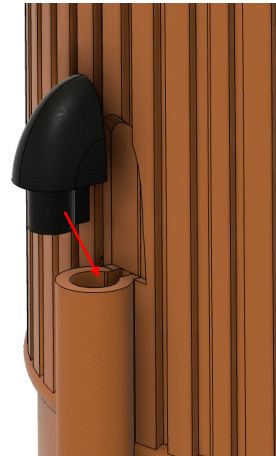
Parts: A4(x1), J(x1), K(x1), S(x2)



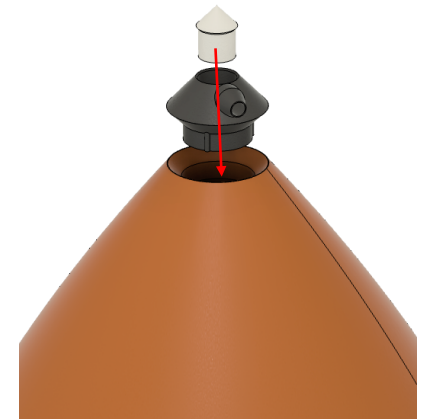
Parts: A3(x1), L(x1), R(x1)

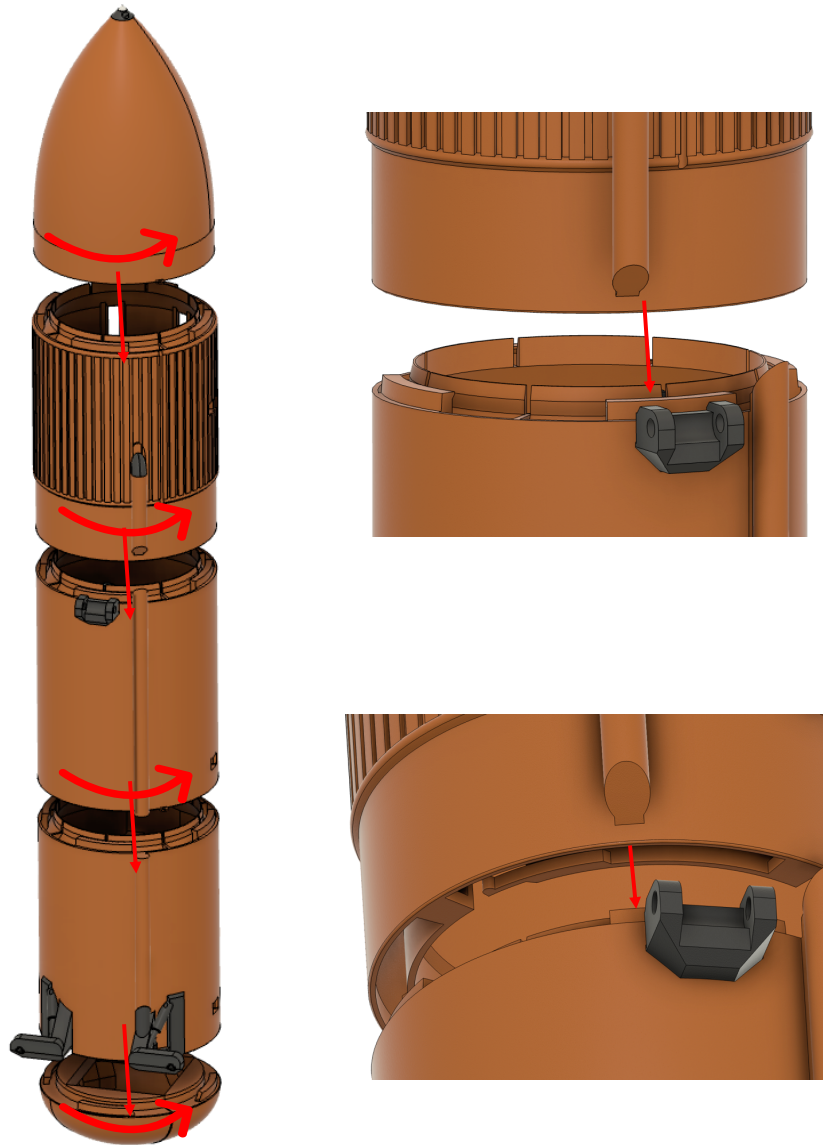


Parts: A2(x1), U(x1)

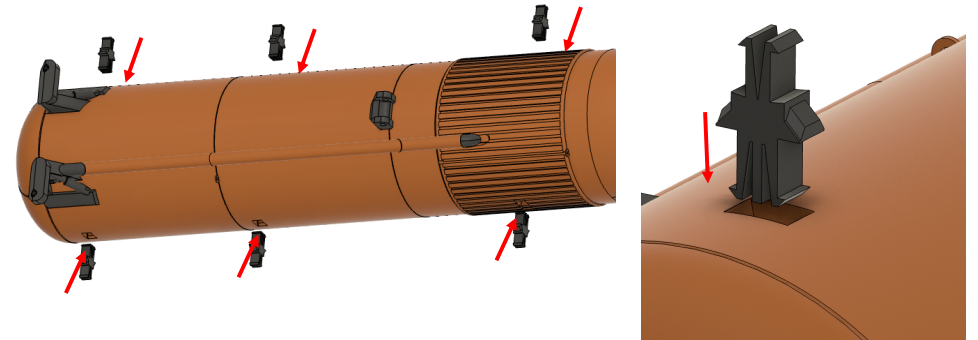


Parts: A1(x1), I(x1), Q(x1)

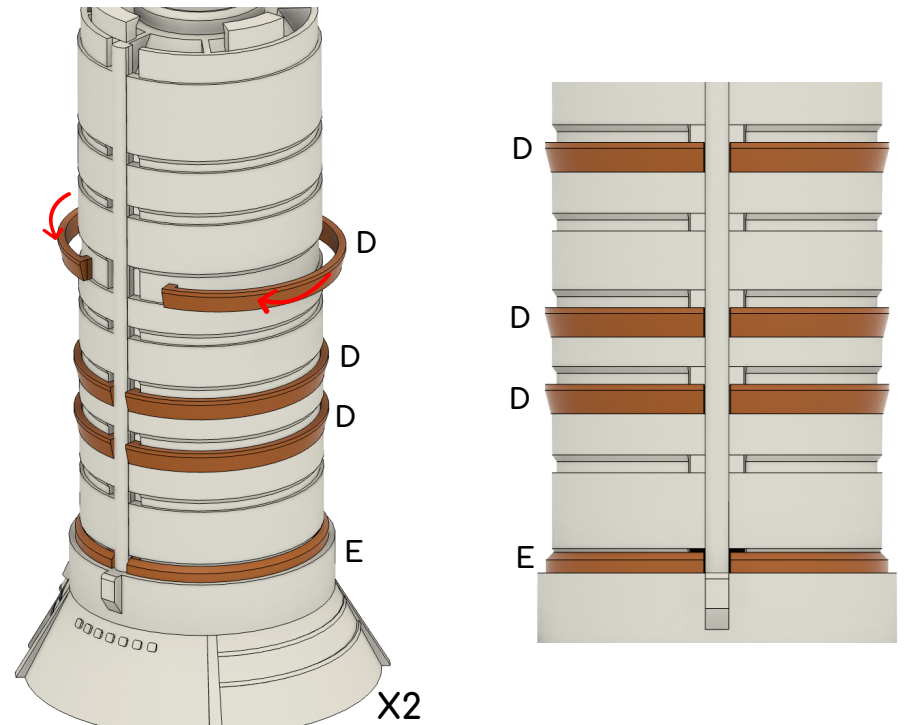




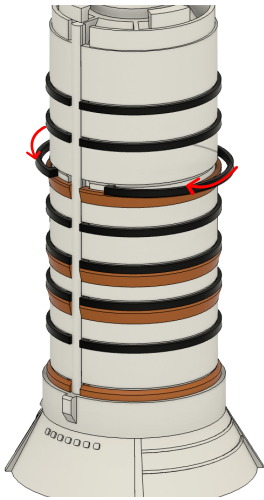
Parts: P(x6)



Parts: F4(x2), D(x6), E(x2)

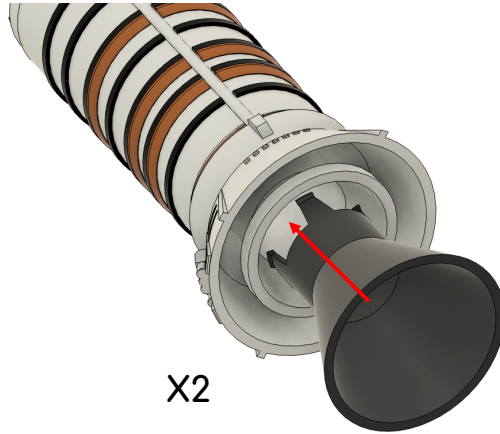


Parts: N(x14)



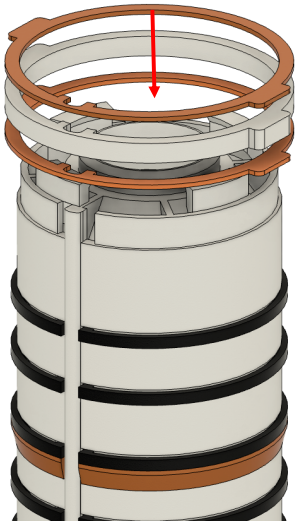
X

Parts: M(x2)



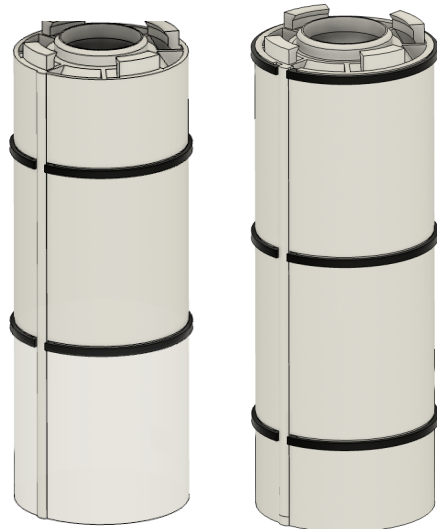
X2

Parts: C(x4), G(x2)

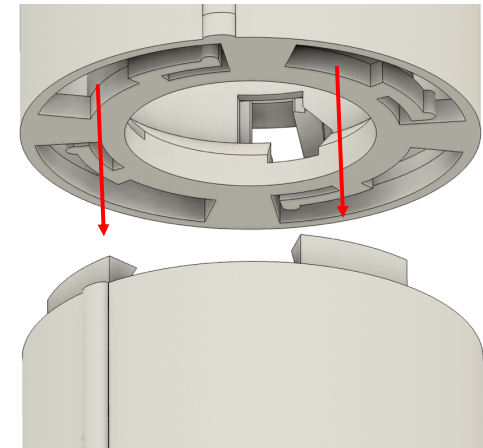
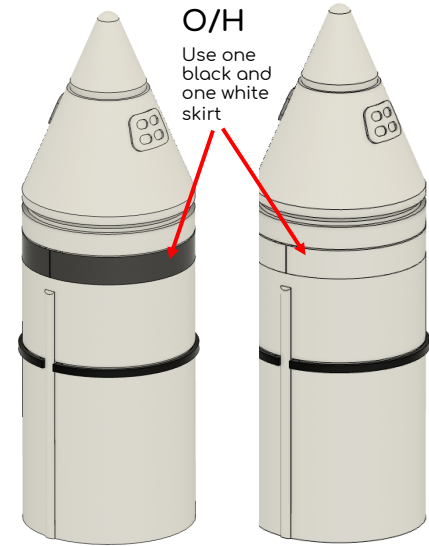
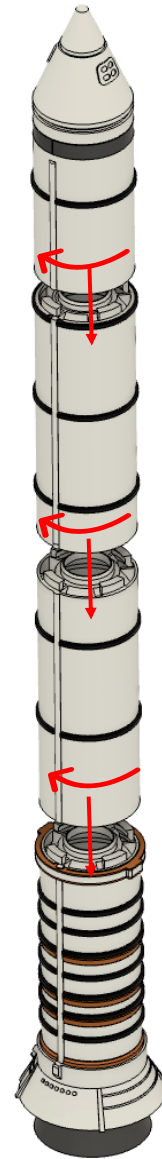


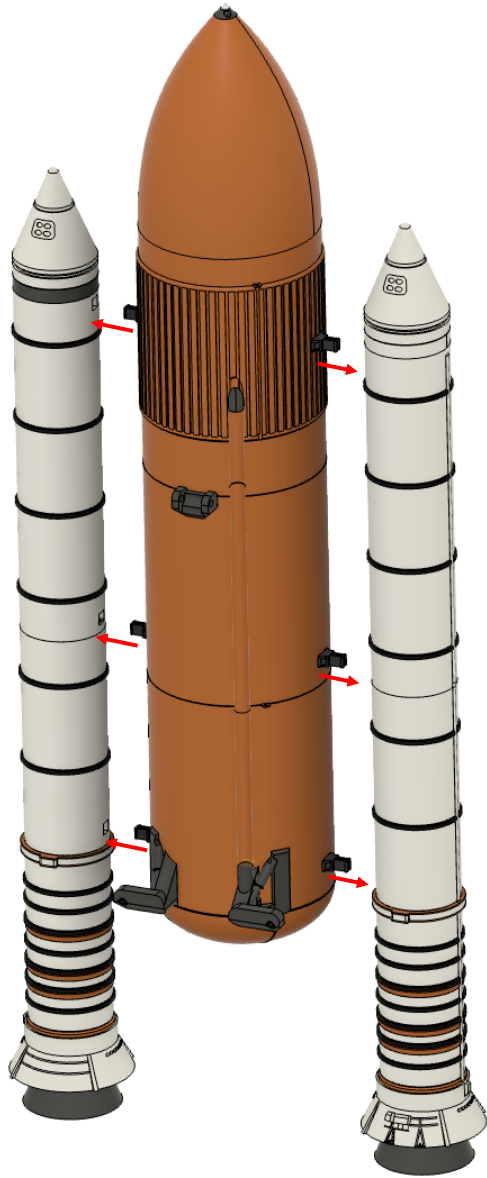
X2

Parts: F3(x2), F2(x2), F1(x2),
N(x12), O(x1), H(x1)

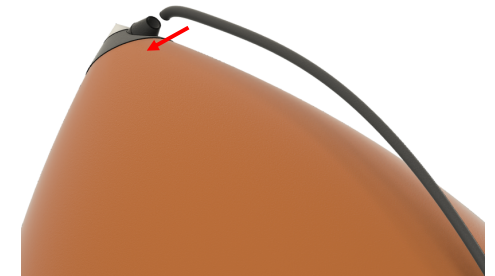
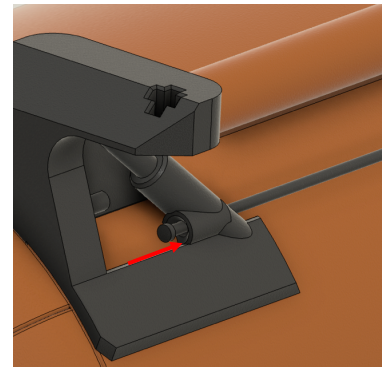
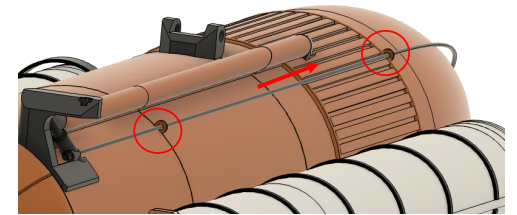
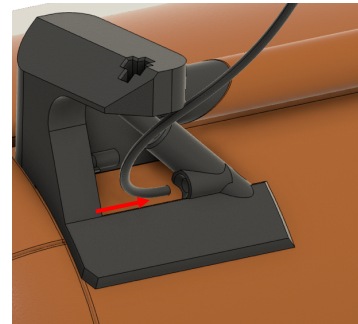


X2



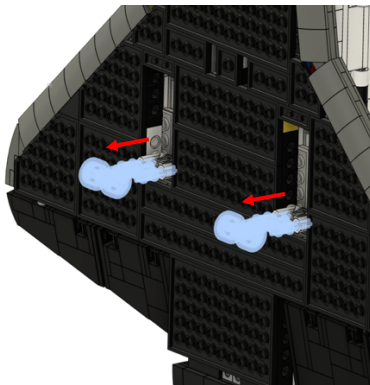
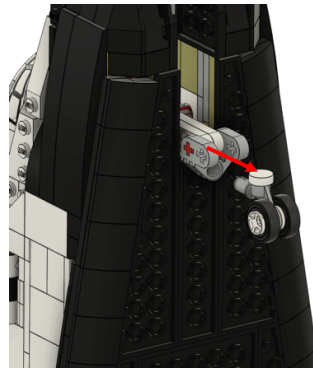
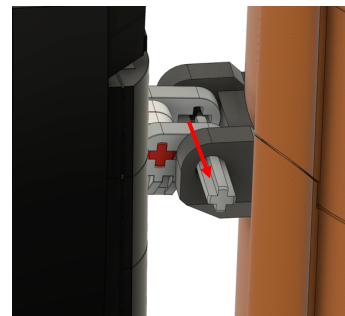
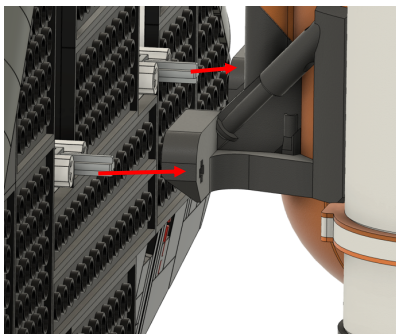


Ports: V1 (x1)



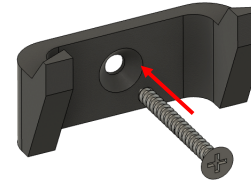
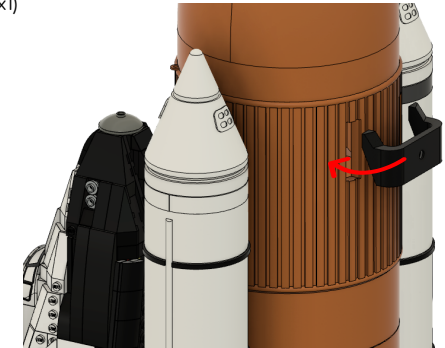
Shuttle Lego Set Install

Remove the wheels from the Leg set

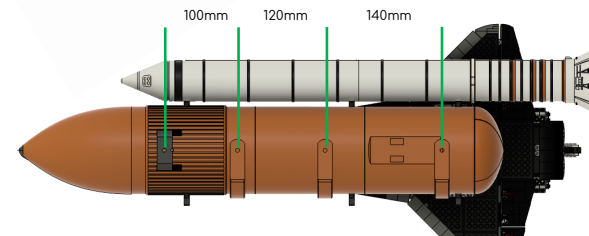
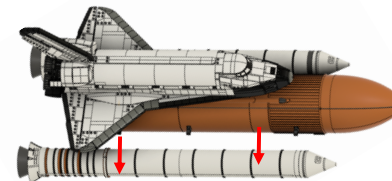
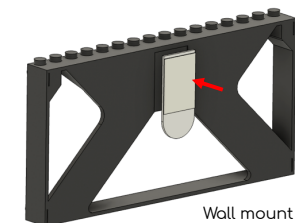
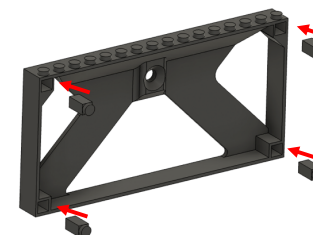

 Now install the Lego set to the
 three mount points

 Note: 3L Lego axle is taken from
 the removed wheels

**Wall Mount
Vertical**

Parts: V1 (x1)


 Note: Do not screw in with a drill. Use
 a screwdriver. Do not over tighten.

Angled (45 degrees maximum)

Parts: V1 (x1), V2 (x3)

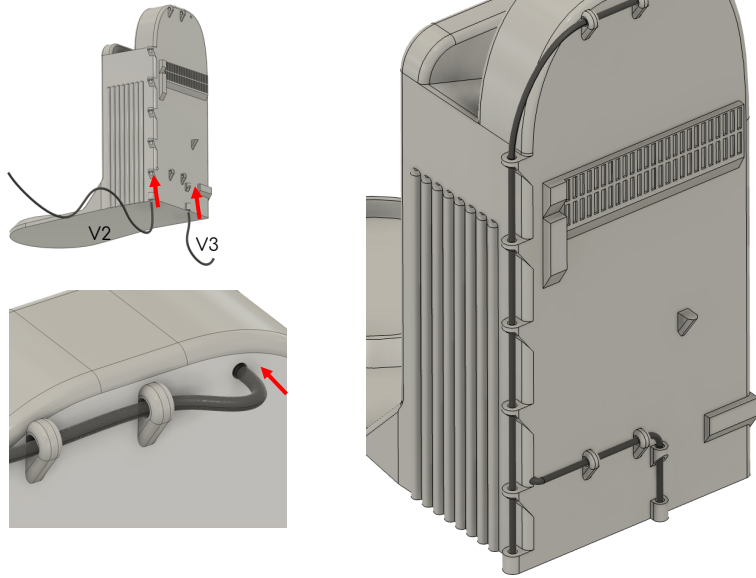

Info Card Stand

 Wall mount using 3M
 Command strip



Solid Rocket Boosters and External Tank for Lego Space Shuttle Discovery (Set no. 10283)

Launch Stand

Parts: Y1 (x1), Y2 (x1), V2 (x2), V3 (x3)



Solid Rocket Boosters and External Tank for Lego Space Shuttle Discovery (Set no. 10283)

Parts: W (x1), Original Lego stand

