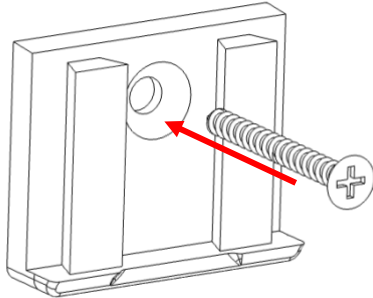
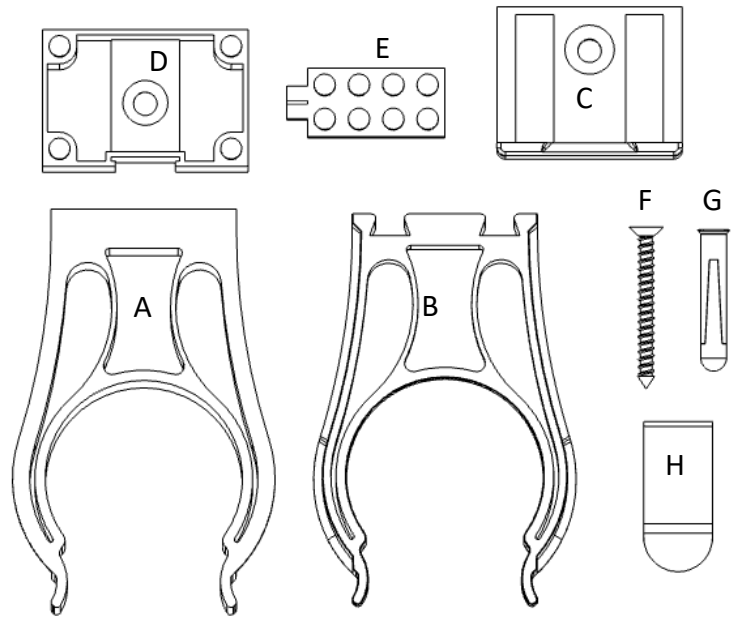




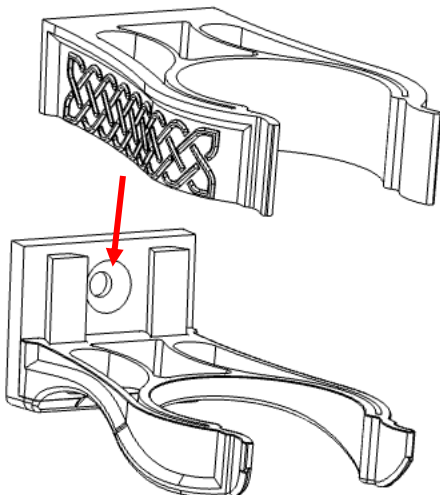
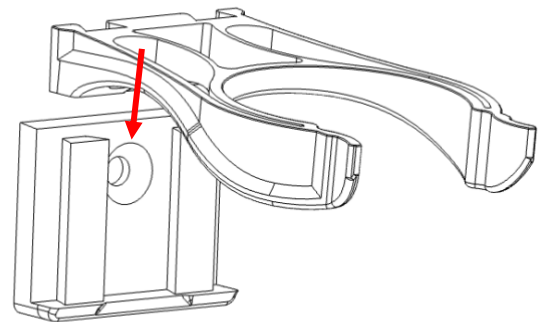
Wall mount Instructions For Thor's Hammer – (76209)

Kit Contents:

- A. 1x Top Clip
- B. 1x Bottom Clip
- C. 1x wall Stretcher
- D. 1x Info card holder
- E. 1x Minifigure mount
- F. 1x Wall Screw
- G. 1x Wall Plug
- H. 1x Small Command strip

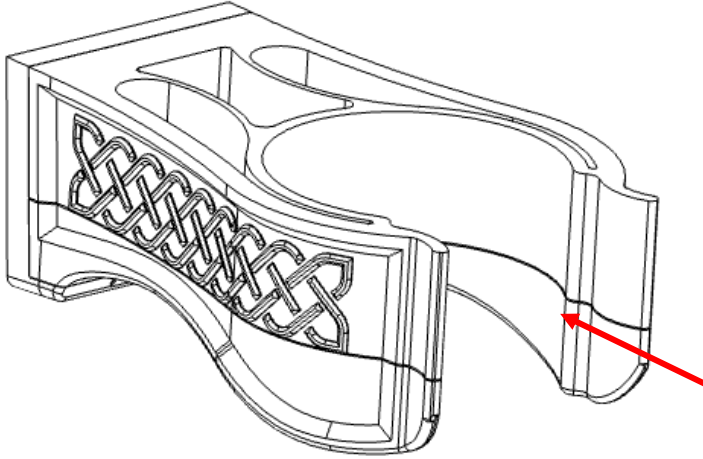


Install the wall plate to the wall using the recommended hardware. Do not overtighten.

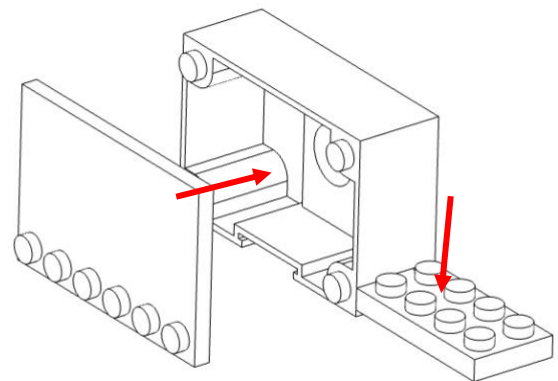
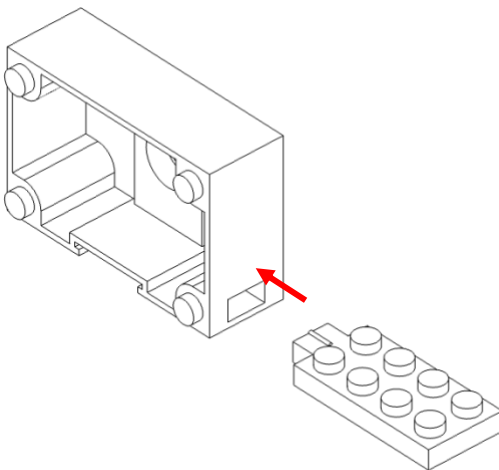




Wall mount Instructions For Thor's Hammer – (76209)



Fit the hammer into the clip



Fit the info card and minifigure to the mount and secure to the wall using a 3M command strip.