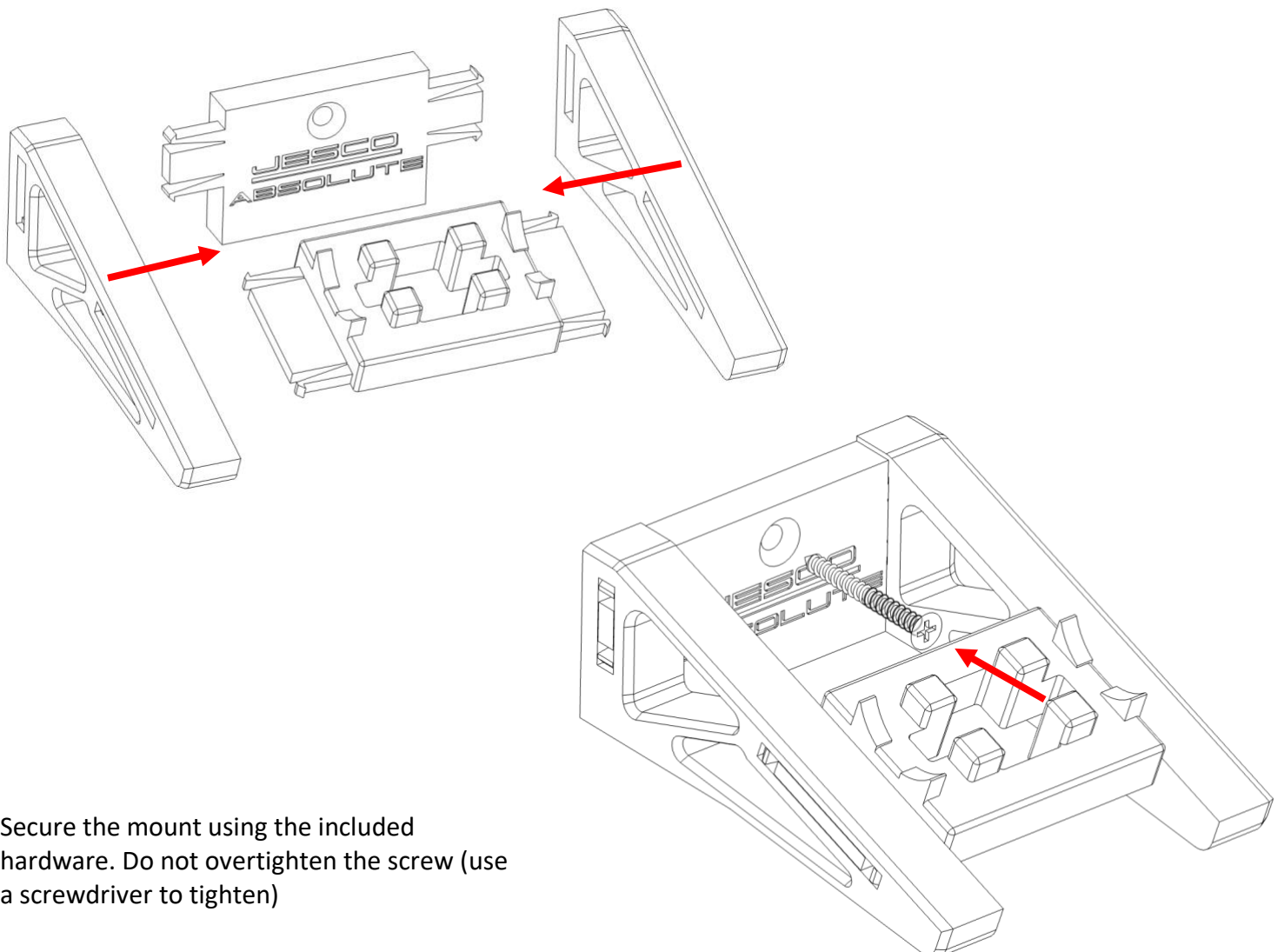
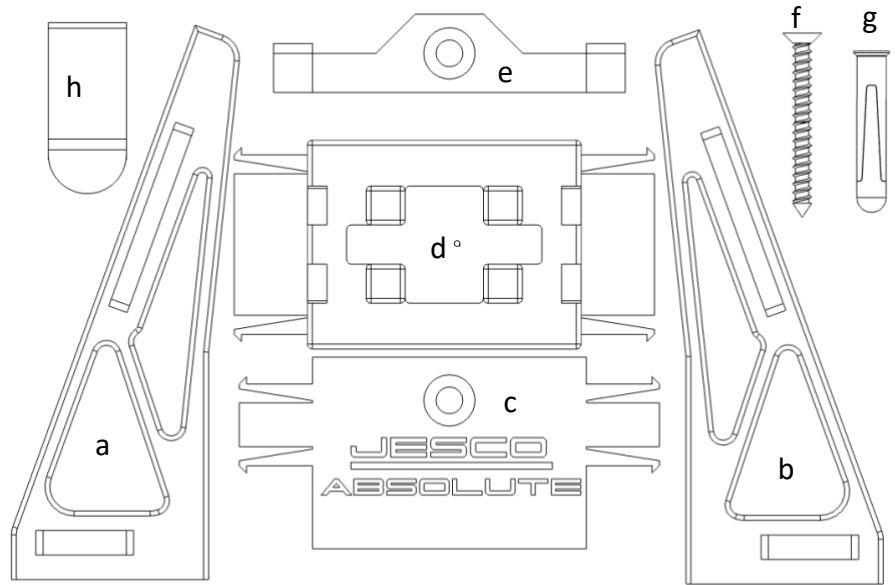


Wall Mount instructions For Koenigsegg Jesko Absolut – (42173 & 42184)

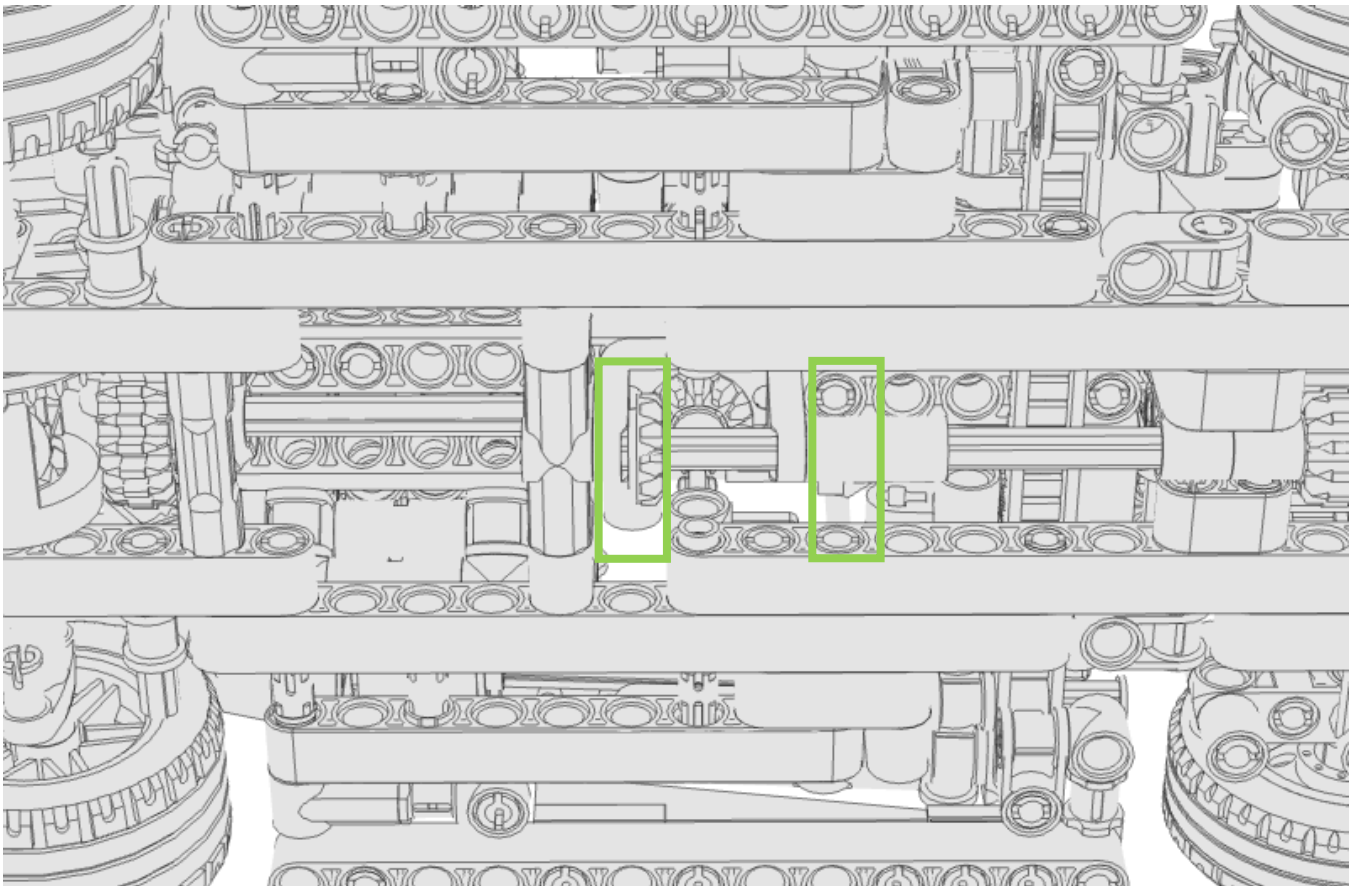
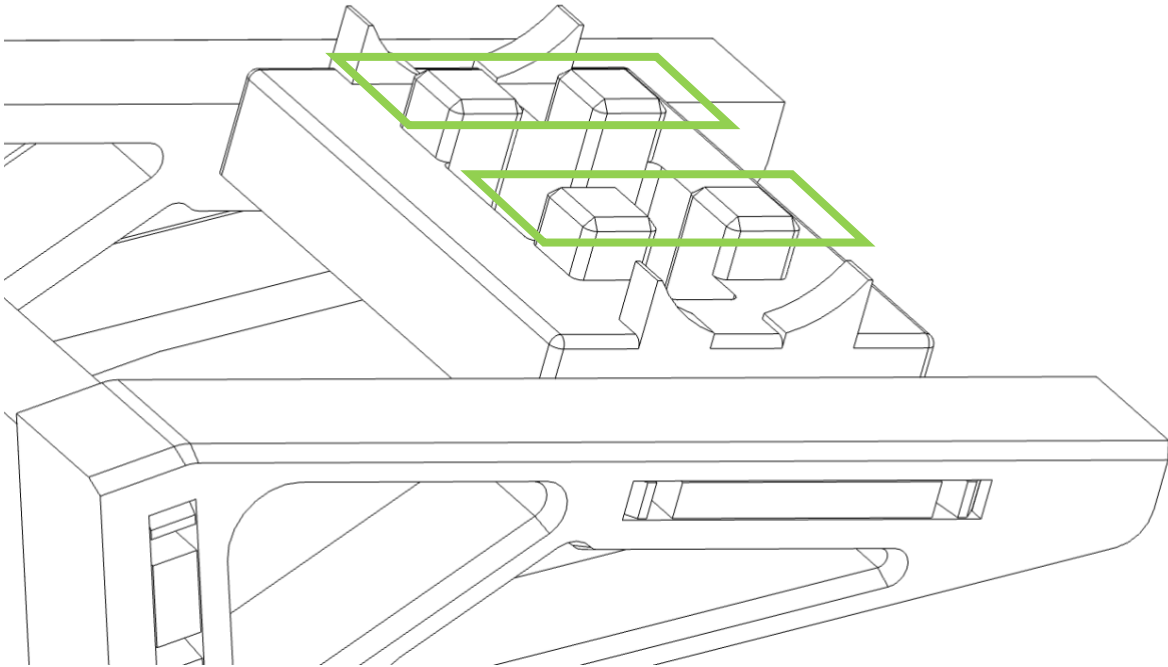
Kit Contents:

- A. 1x Left Arm
- B. 1x Right Arm
- C. 1x Back Stretcher
- D. 1x Front Stretcher
- E. 1x Flush mount
- F. 1x Wall screws
- G. 1x Wall plugs
- H. 1x 3M Command strip

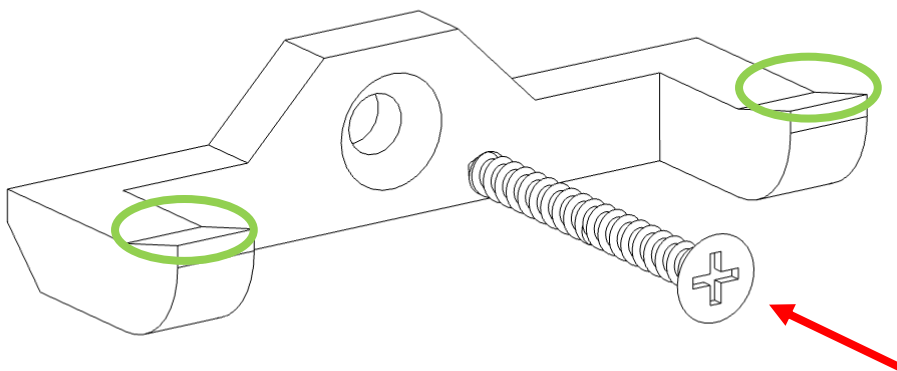
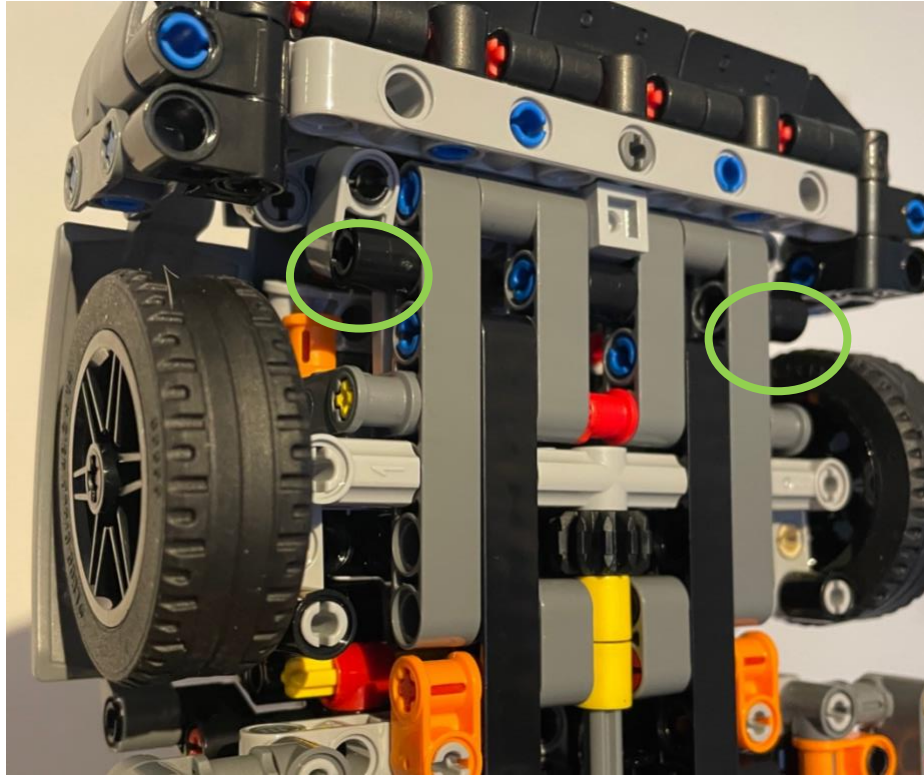


Secure the mount using the included hardware. Do not overtighten the screw (use a screwdriver to tighten)

**Wall Mount instructions
For Koenigsegg Jesko Absolut – (42173 & 42184)**



Flush Mount



Secure the mount using the included hardware. Do not overtighten the screw (use a screw driver to tighten)