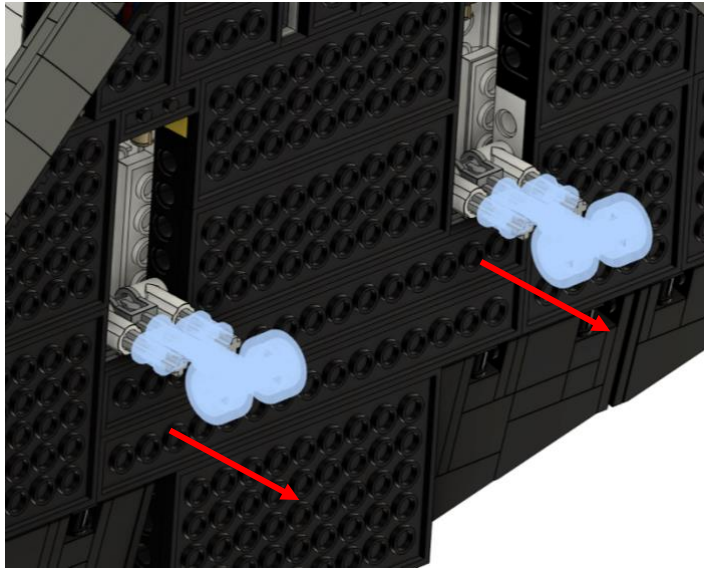
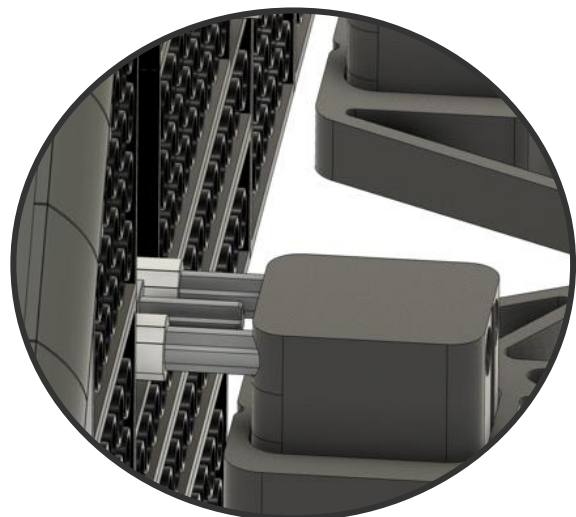
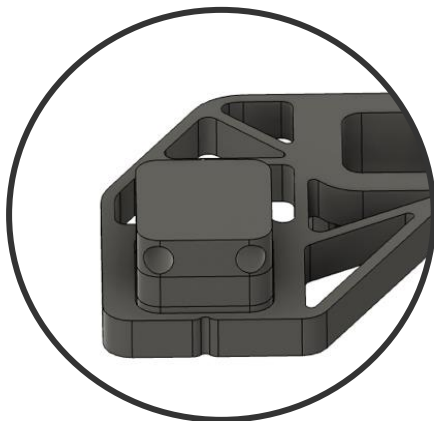
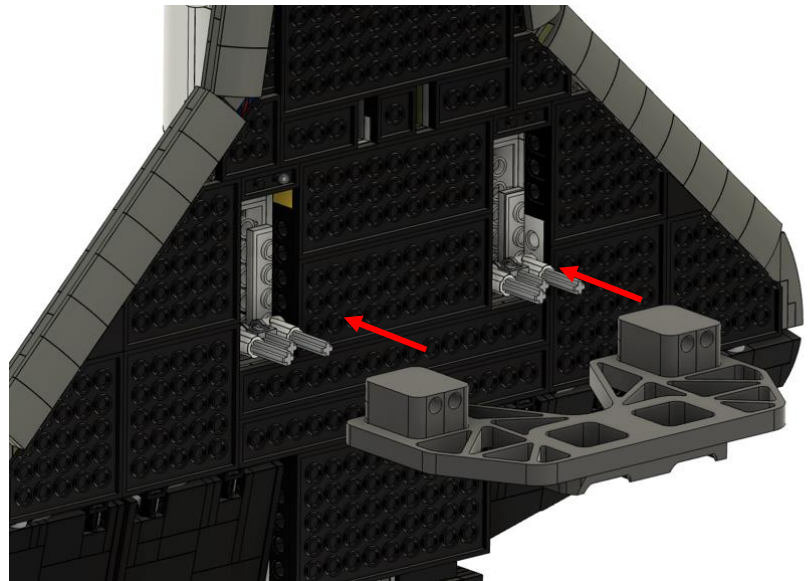
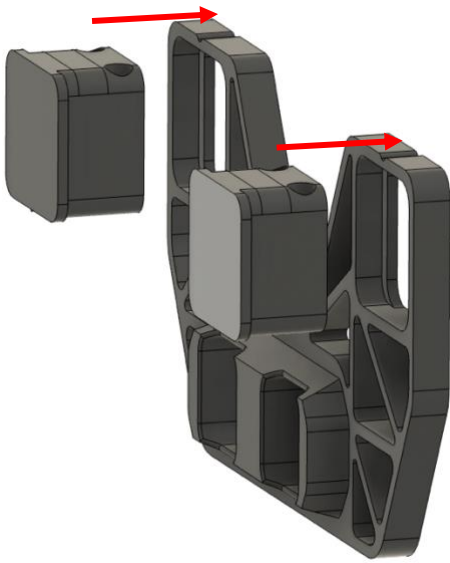
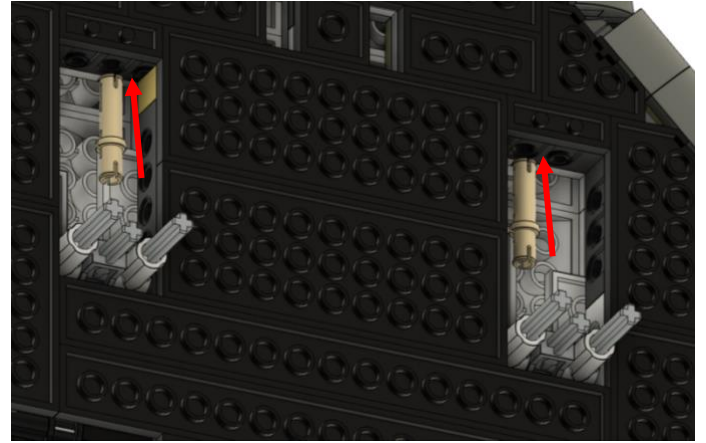
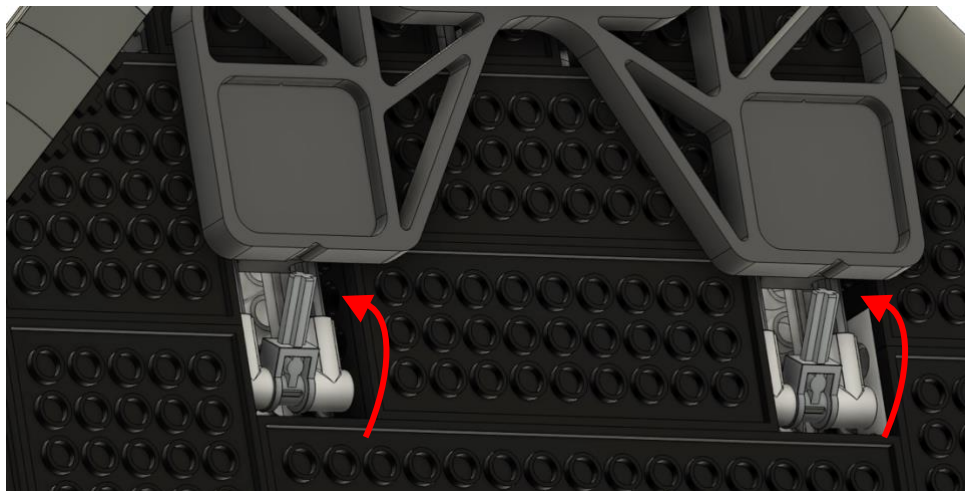
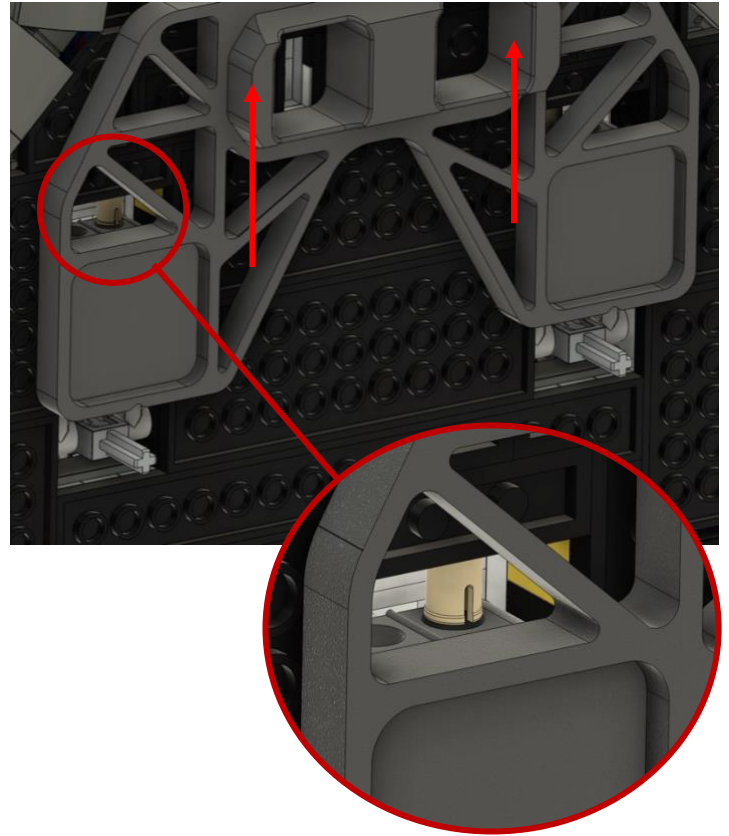
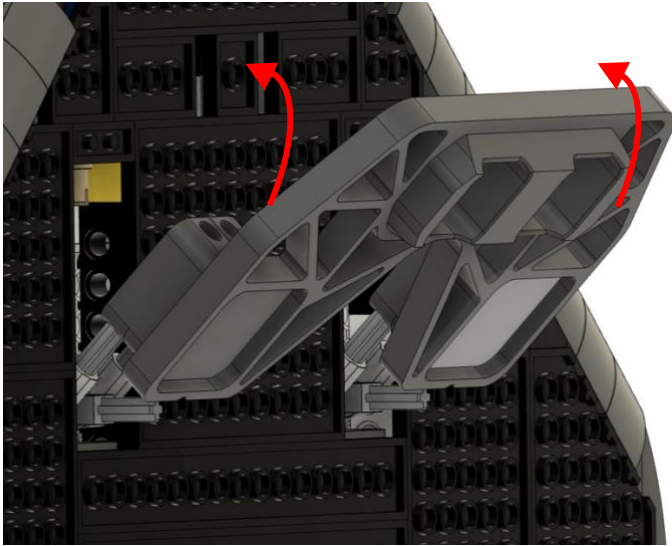


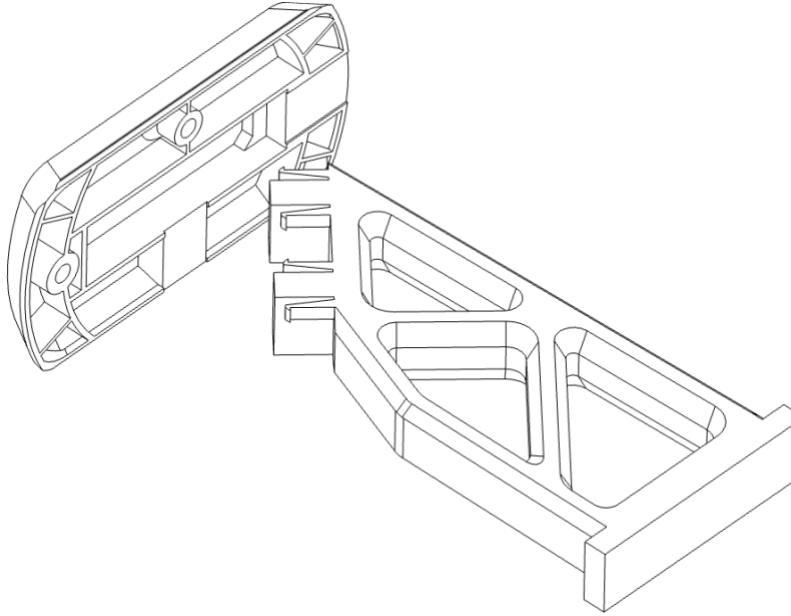
Wall Mount instructions
NASA Space Shuttle Discovery – (10283)



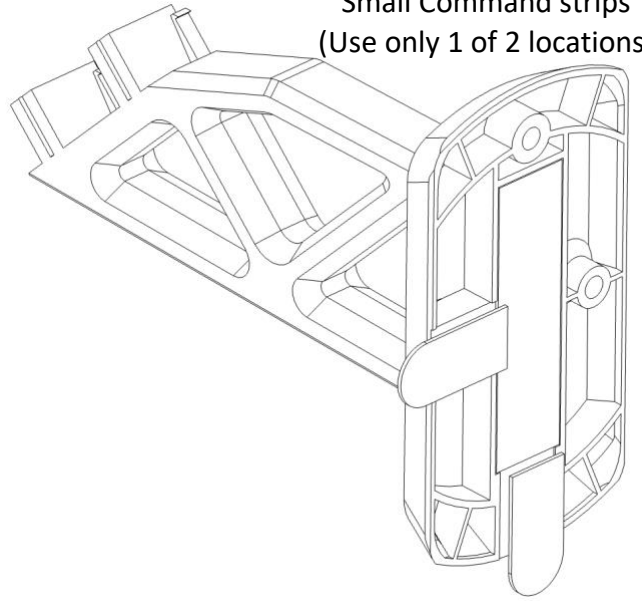
Insert 2x (3 long) technic pins found in
the now removed wheel assembly's



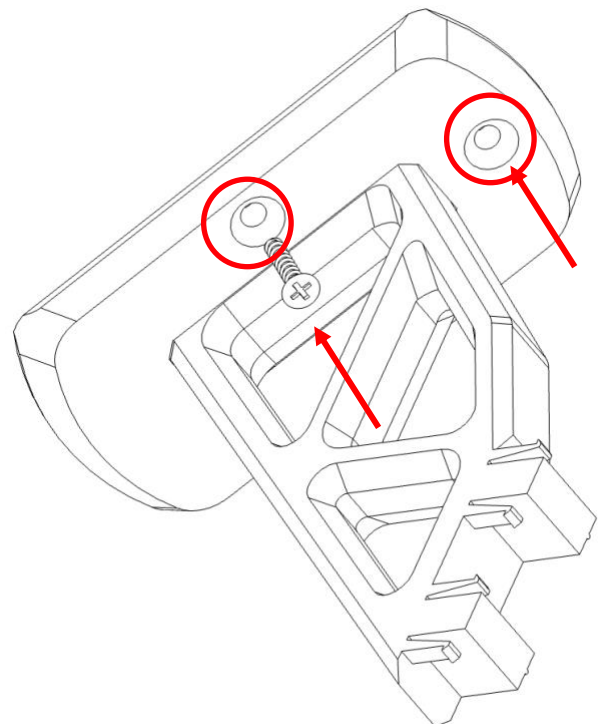
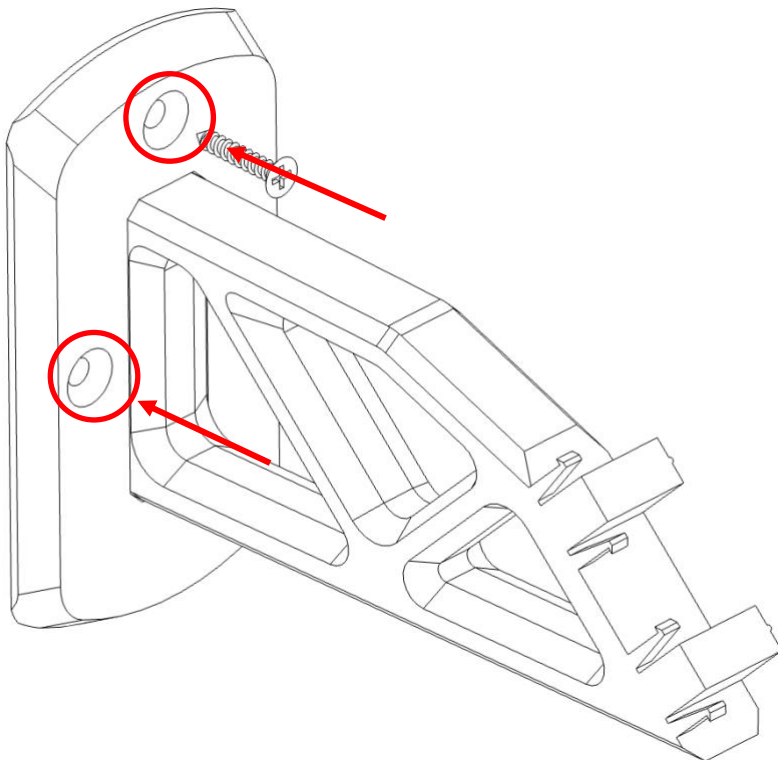


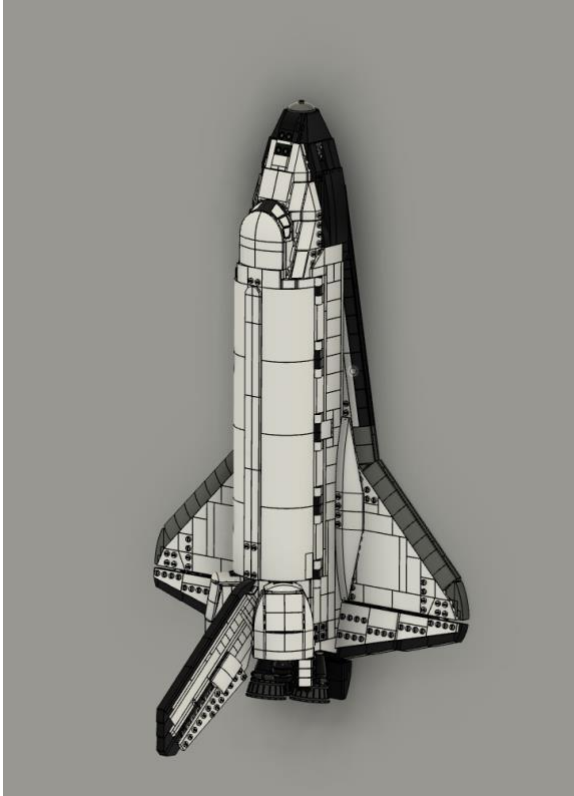


Small Command strips
(Use only 1 of 2 locations)



Screw mount locations
(Use orientations shown)





Flush wall mount

